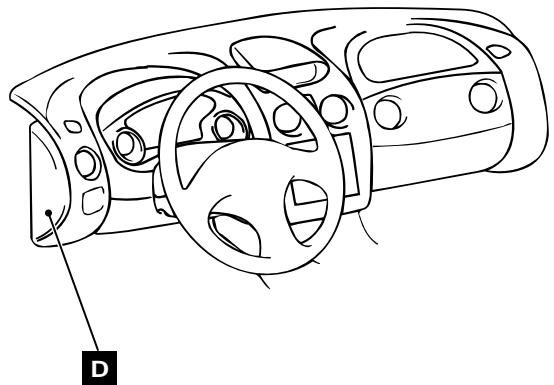
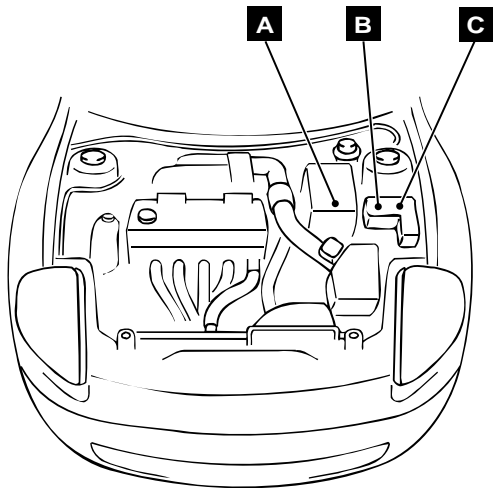

GROUP 70**COMPONENT
LOCATIONS****CONTENTS**

FUSIBLE LINK, FUSE AND IOD OR STORAGE CONNECTOR	70-2	RELAY	70-9
INSPECTION TERMINAL	70-3	SENSOR	70-10
GROUNDING	70-4	CONTROL UNIT	70-16
GROUNDING CABLE	70-8	SOLENOID AND SOLENOID VALVE	70-19
		OTHER DEVICES	70-20

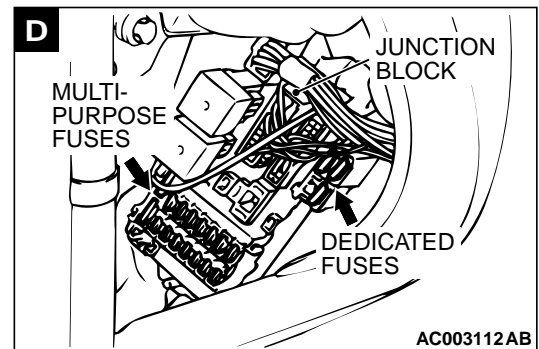
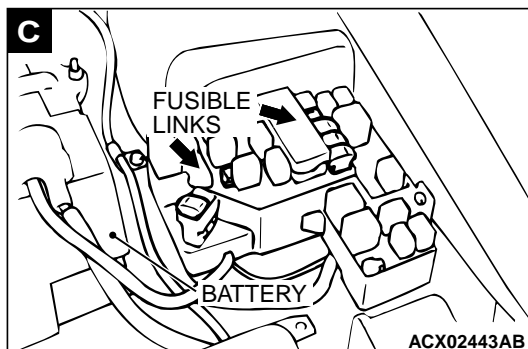
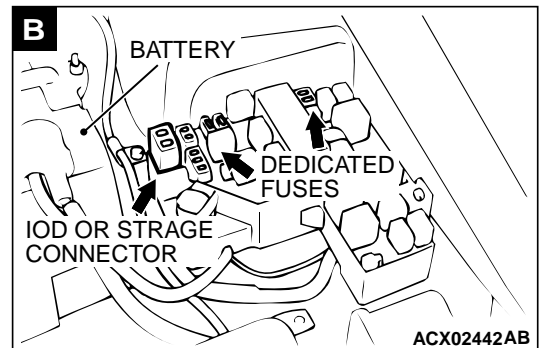
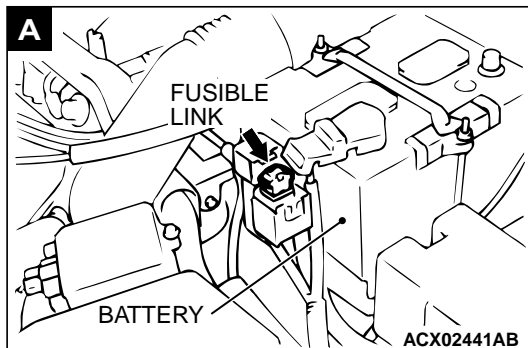
FUSIBLE LINK, FUSE AND IOD OR STORAGE CONNECTOR

M1701000100108

NAME	SYMBOL	NAME	SYMBOL
Dedicated fuse No.1 to 14	B	Fusible link No.2 to 8	C
Dedicated fuse No.15 to 18	D	IOD or storage connector	B
Fusible link No.1	A	Multi-purpose fuses	D



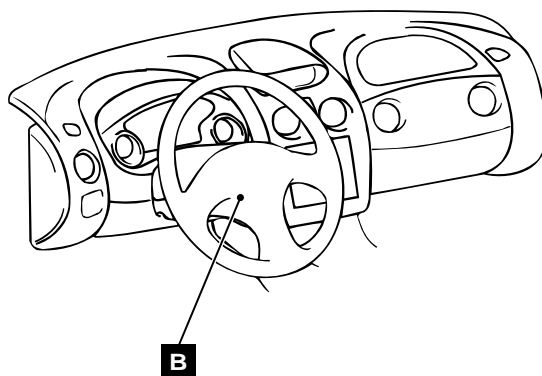
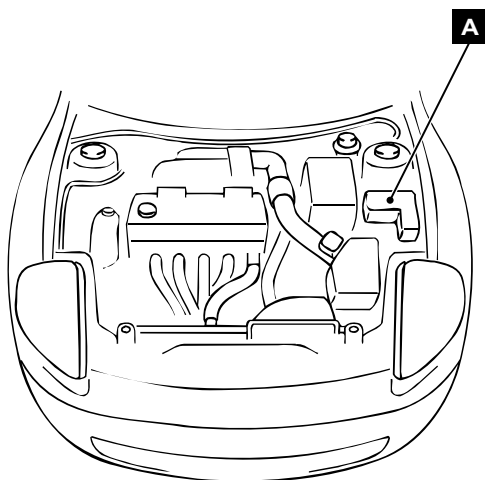
AC003120AB



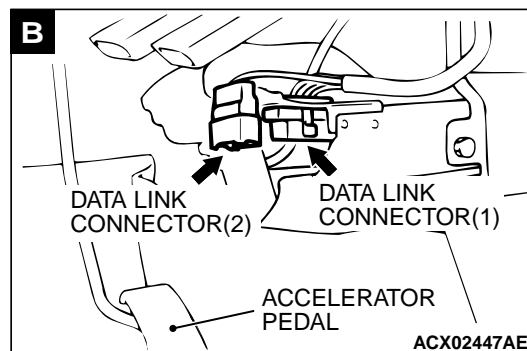
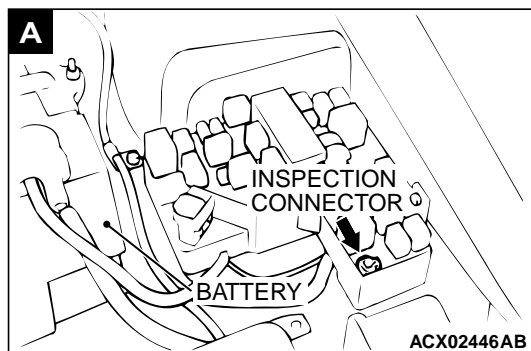
INSPECTION TERMINAL

M1701000200097

NAME	SYMBOL	NAME	SYMBOL
Data link connector	B	Inspection connector	A



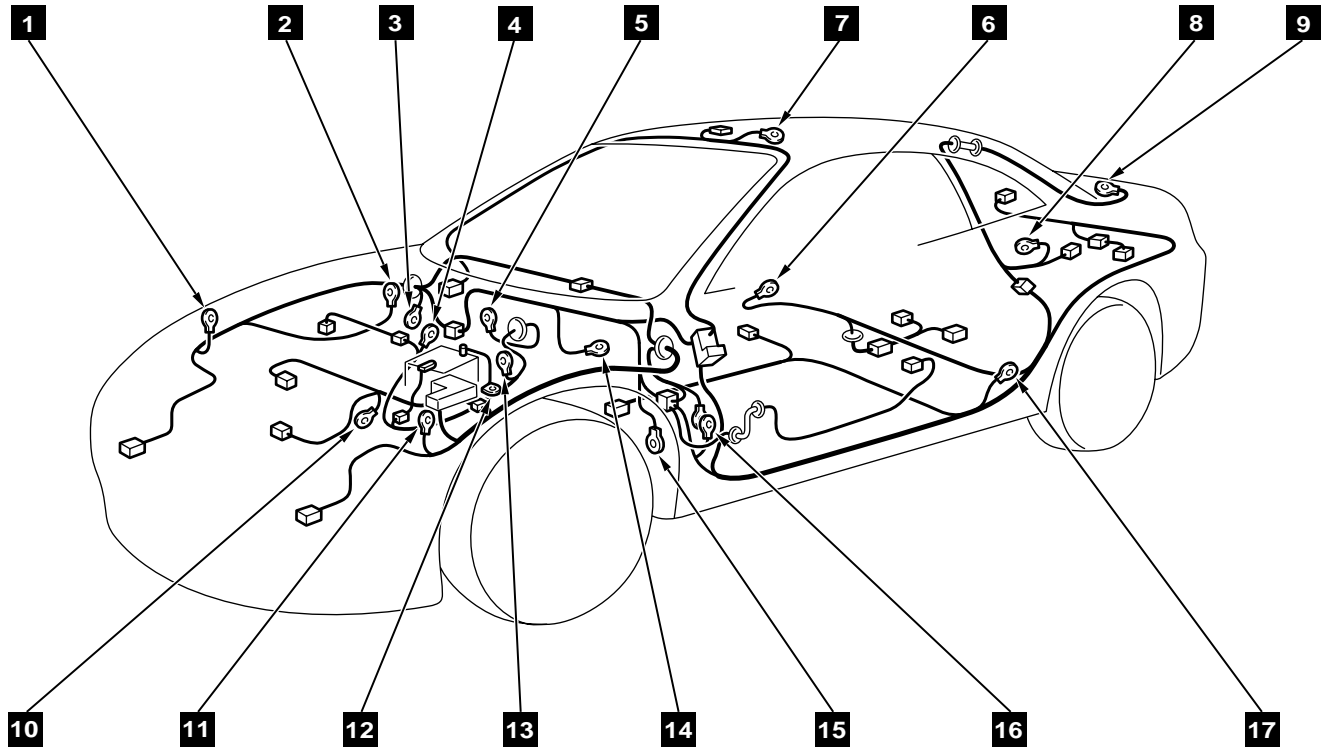
AC003120AC



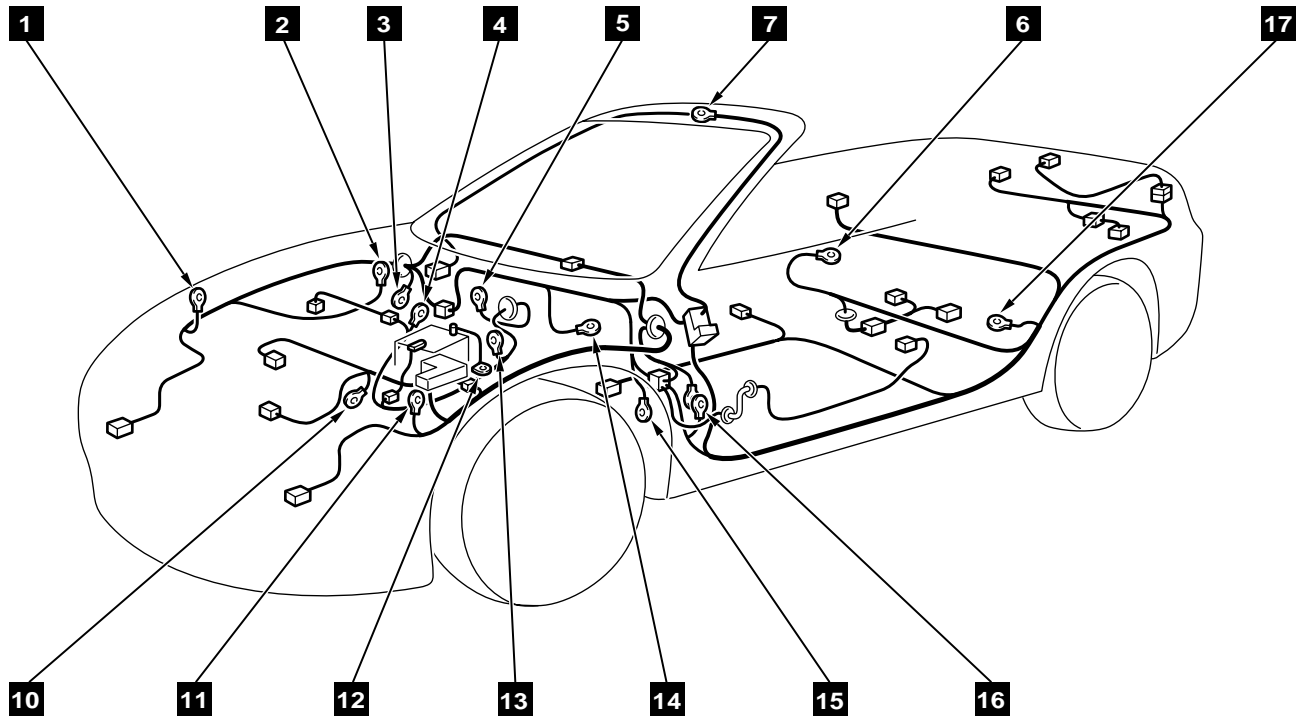
GROUNDING

M1701000300083

<ECLIPSE>



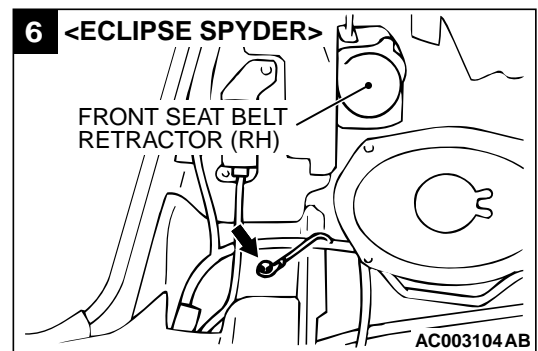
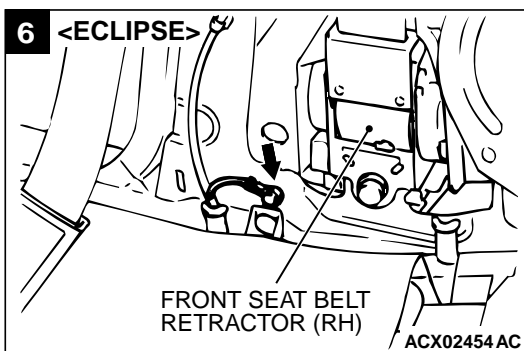
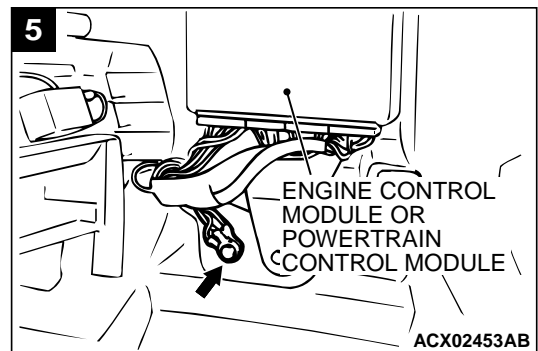
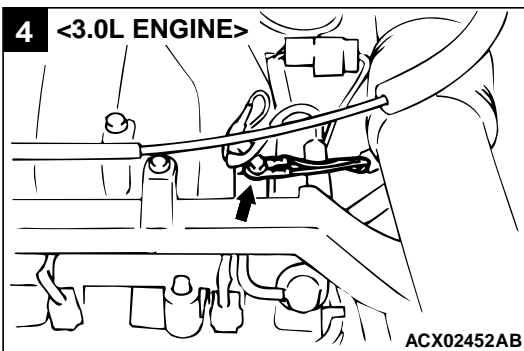
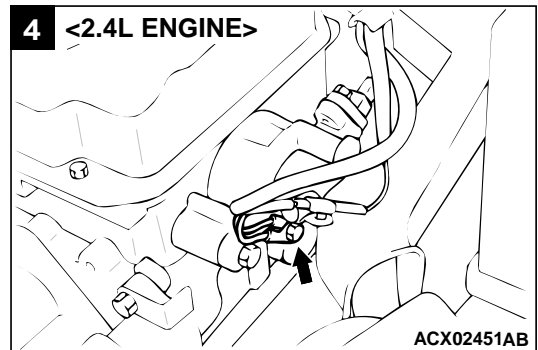
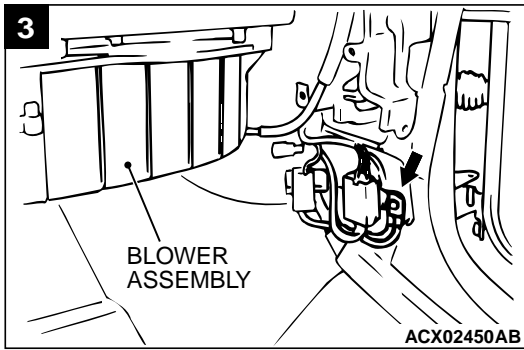
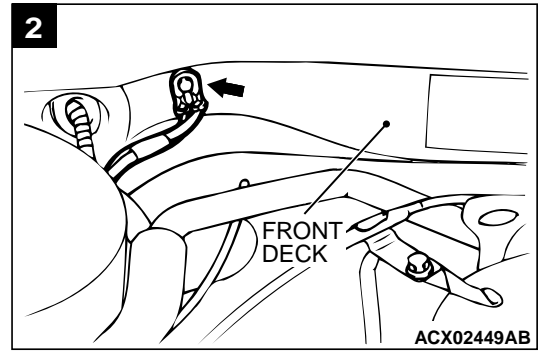
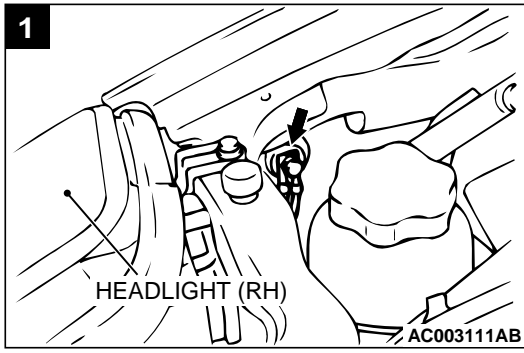
<ECLIPSE SPYDER>

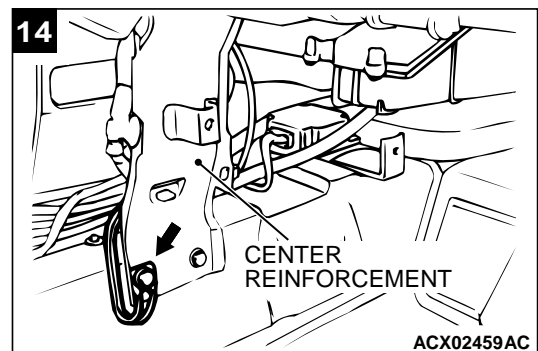
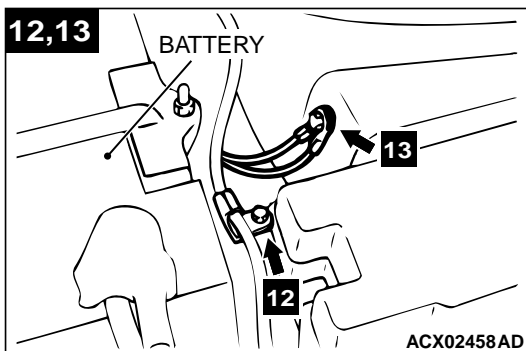
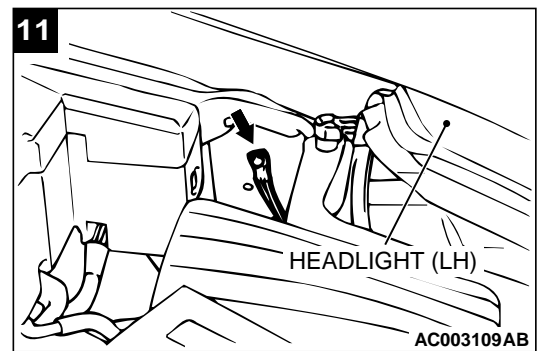
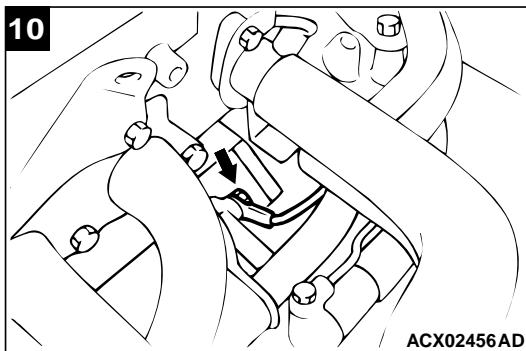
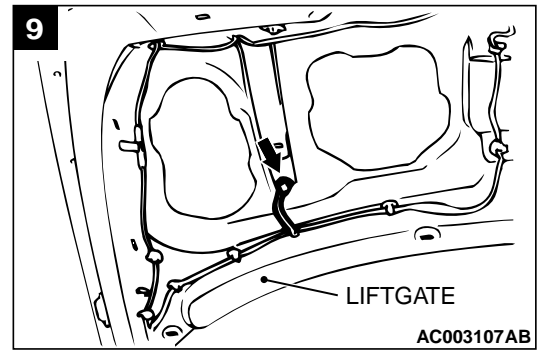
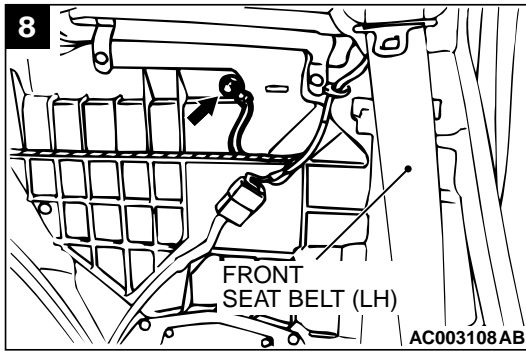
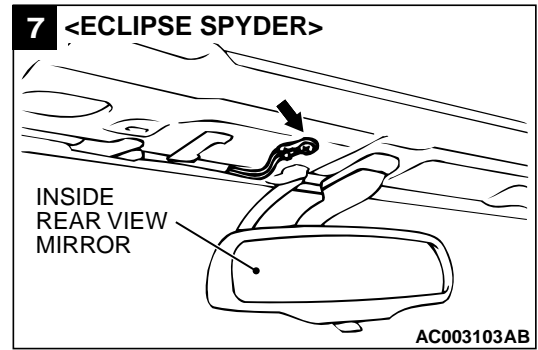
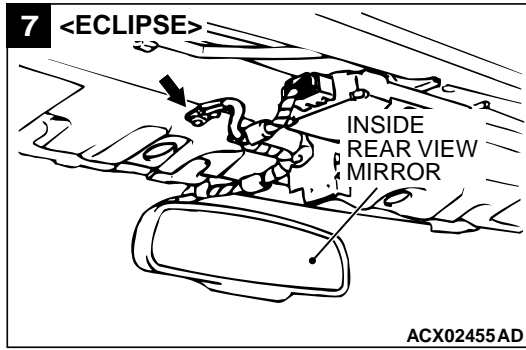


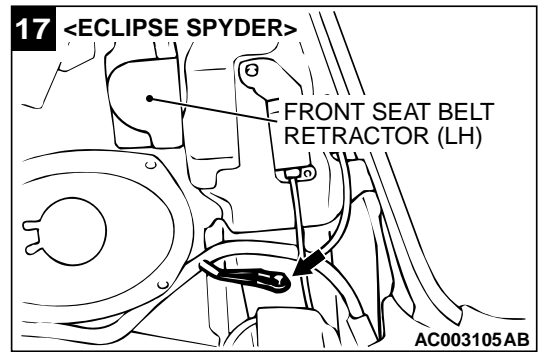
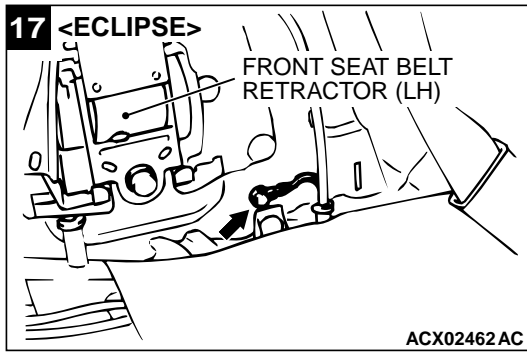
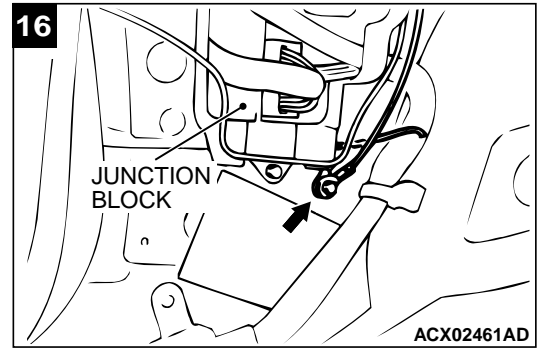
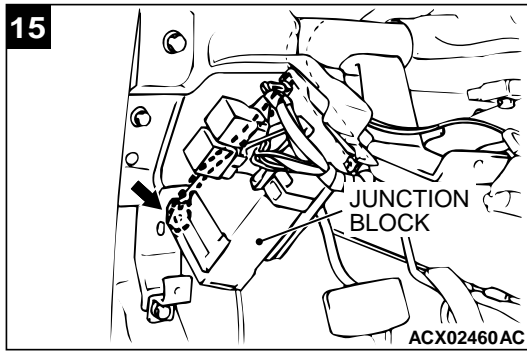
AC003121

NOTE: 1 to 17 numbers correspond to the body ground point numbers in CIRCUIT DIAGRAMS.

TSB Revision



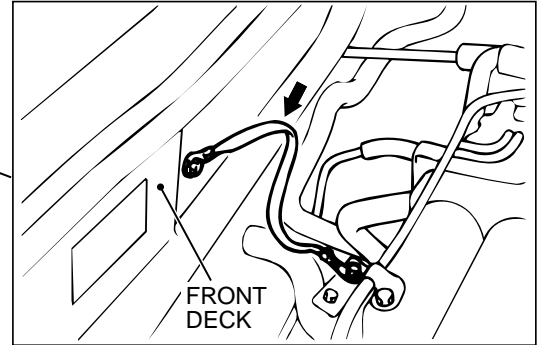
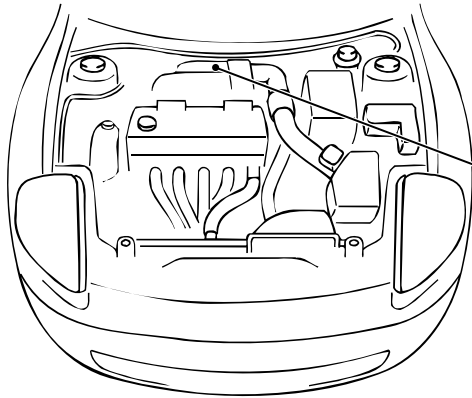




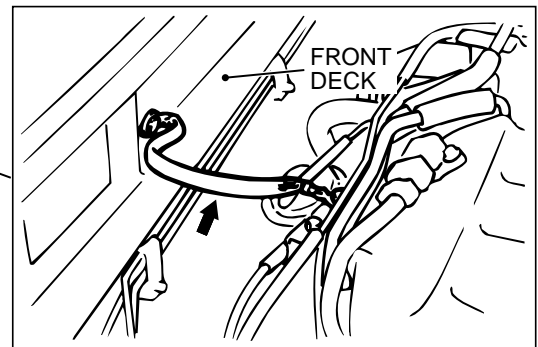
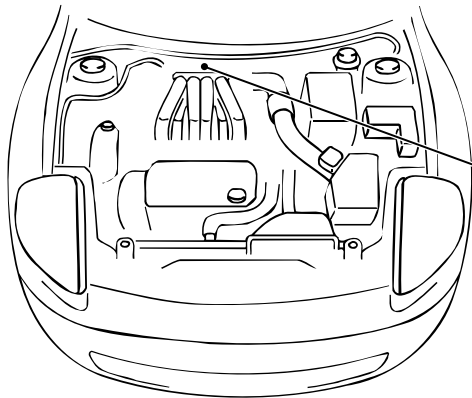
GROUNDING CABLE

M1701001000085

<2.4L ENGINE>



<3.0L ENGINE>

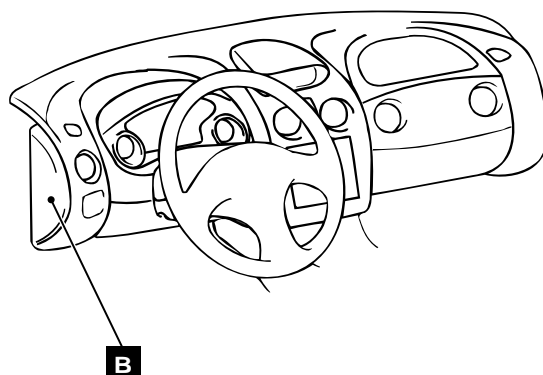
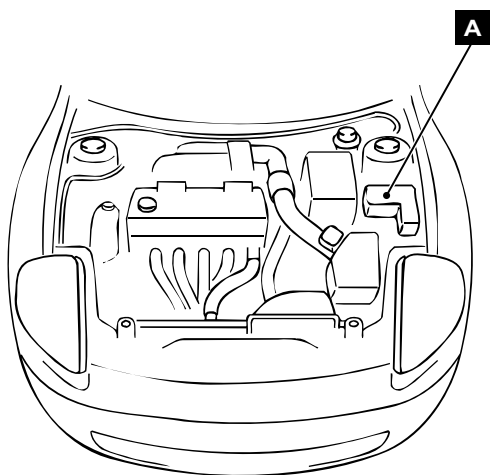


AC003122AB

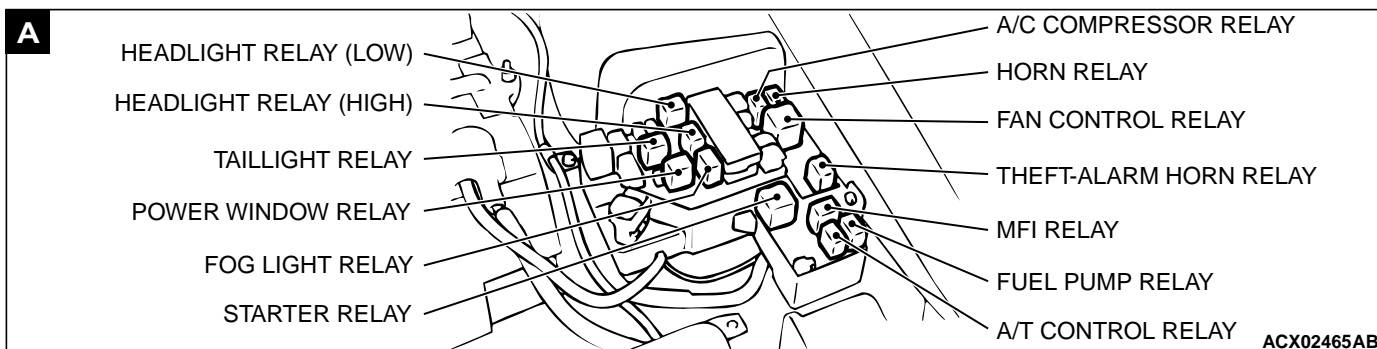
RELAY

M1701000400080

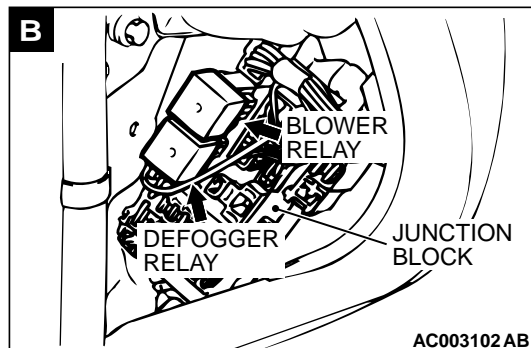
NAME	SYMBOL	NAME	SYMBOL
A/C compressor relay	A	Headlight relay (Low)	A
A/T control relay	A	Horn relay	A
Blower relay	B	MFI relay	A
Defogger relay	B	Power window relay	A
Fan control relay	A	Starter relay <M/T>	A
Fog light relay	A	Taillight relay	A
Fuel pump relay	A	Theft-alarm horn relay	A
Headlight relay (High)	A		



AC003120AD



ACX02465AB



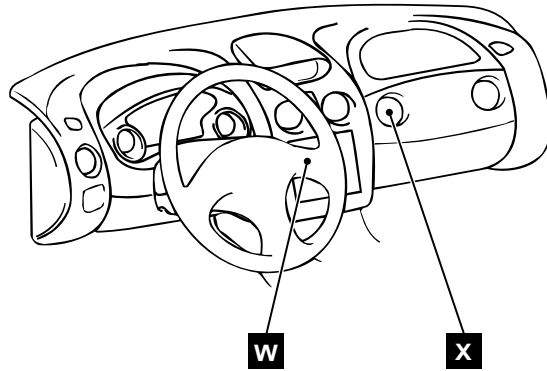
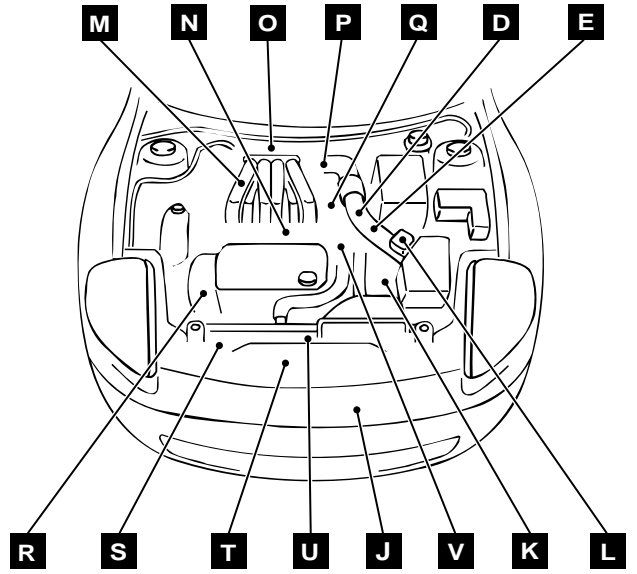
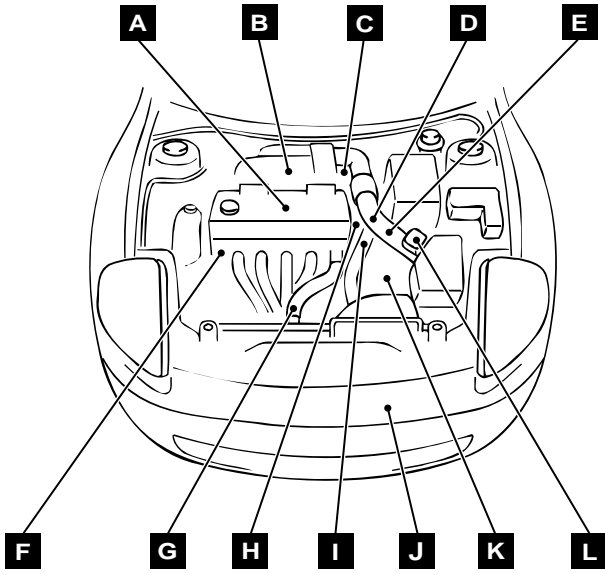
AC003102AB

SENSOR

NAME	SYMBOL	NAME	SYMBOL
A/C compressor assembly (with built-in lock sensor)	S	Knock sensor <3.0L Engine>	N
A/T control solenoid valve assembly (with built-in A/T fluid temperature sensor)	K	Left bank heated oxygen sensor (front) <3.0L Engine>	U
Air thermo sensor <A/C>	W	Left bank heated oxygen sensor (rear) <3.0L Engine>	T
Ambience sensor	J	Manifold differential pressure sensor <2.4L Engine>	B
Camshaft position sensor <2.4L Engine>	H	Manifold differential pressure sensor <3.0L Engine>	O
Compass sensor	Z	Output shaft speed sensor <A/T>	E
Crankshaft position sensor <2.4L Engine>	F	Right bank heated oxygen sensor (front) <3.0L Engine>	M
Crankshaft position sensor <3.0L Engine>	R	Right bank heated oxygen sensor (rear) <3.0L Engine>	Y
Distributor assembly (with built-in top dead center sensor) <3.0L Engine>	Q	Side impact sensor <Side air bag>	b
Engine coolant temperature sensor <2.4L Engine>	I	Thermistor sensor <Heater and A/C>	X
Engine coolant temperature sensor <3.0L Engine>	V	Throttle position sensor <2.4L Engine>	C
Fuel tank differential pressure sensor	a	Throttle position sensor <3.0L Engine>	P
Heated oxygen sensor (front) <2.4L Engine>	G	Vehicle speed sensor	D
Heated oxygen sensor (rear) <2.4L Engine>	c	Volume air flow sensor	L
Ignition failure sensor <2.4L Engine>	B	Wheel speed sensor (front)	d
Input shaft speed sensor <A/T>	E	Wheel speed sensor (rear)	e
Knock sensor <2.4L Engine>	A		

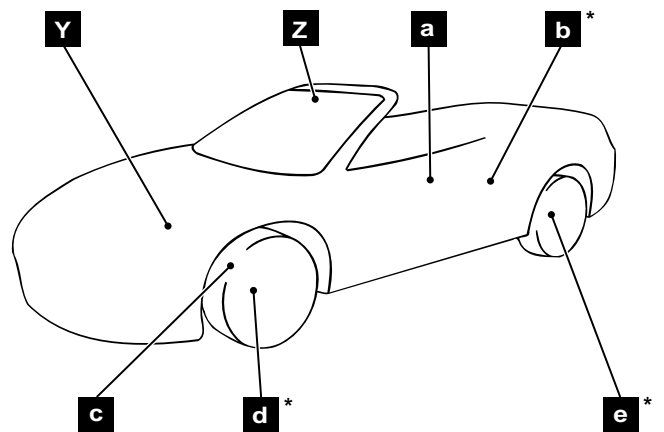
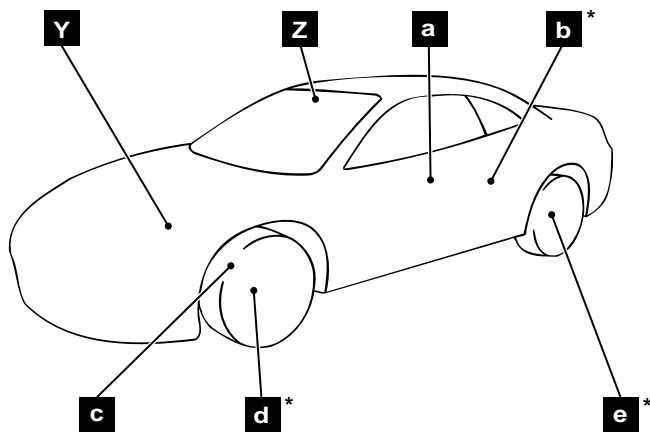
<2.4L ENGINE>

<3.0L ENGINE>



<ECLIPSE>

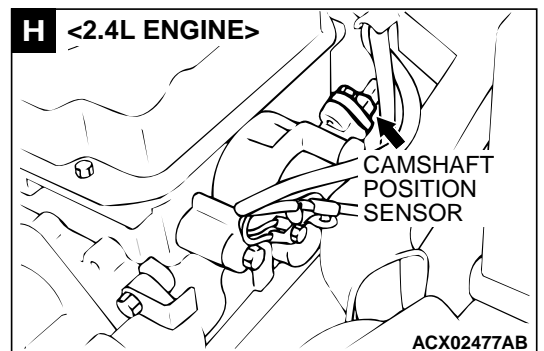
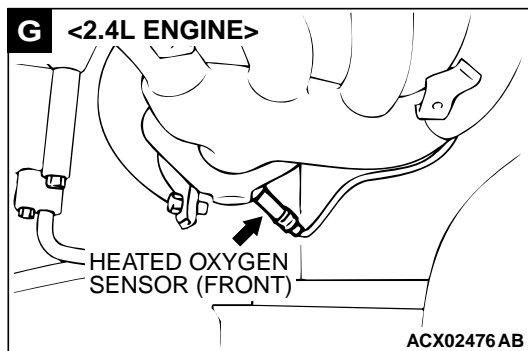
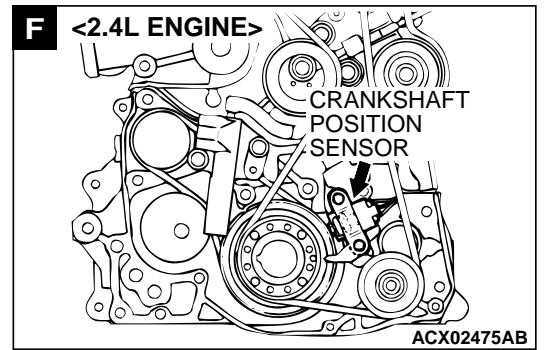
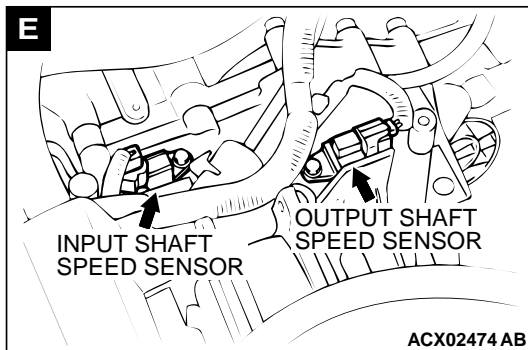
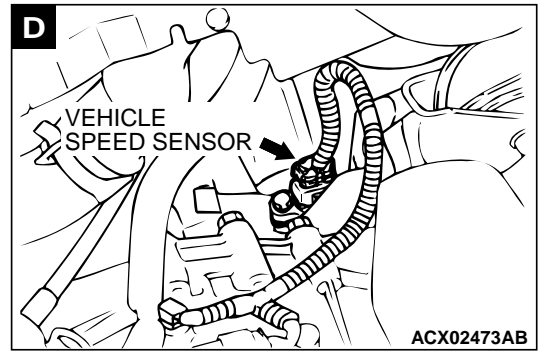
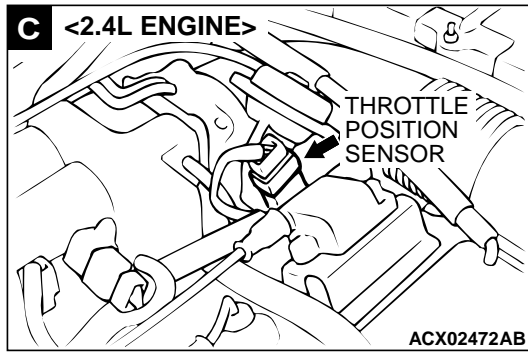
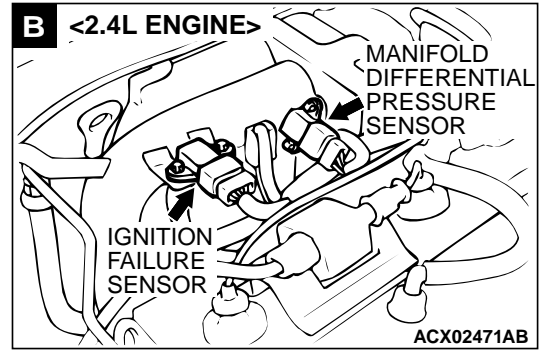
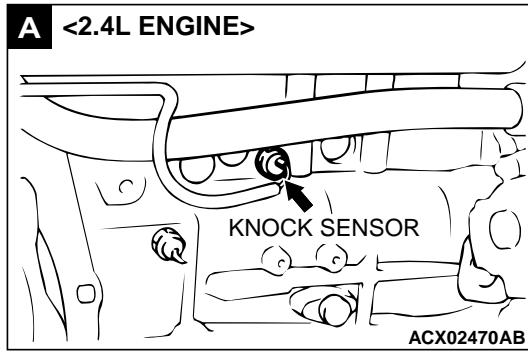
<ECLIPSE SPYDER>

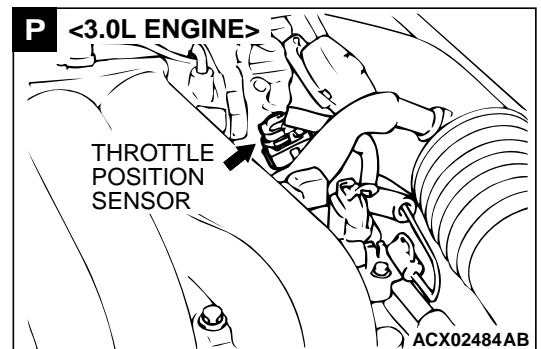
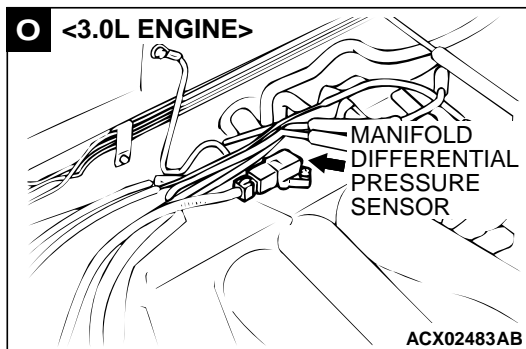
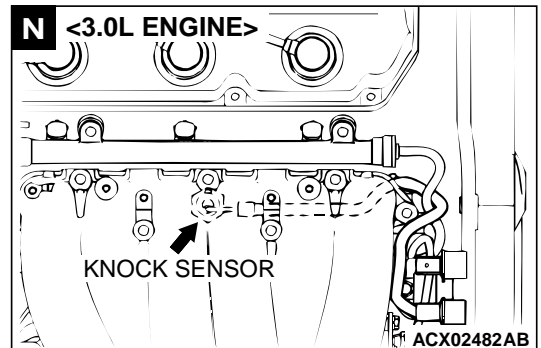
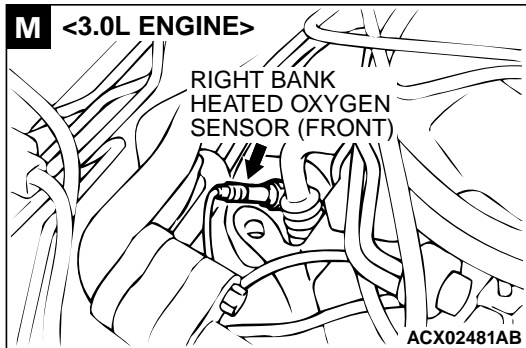
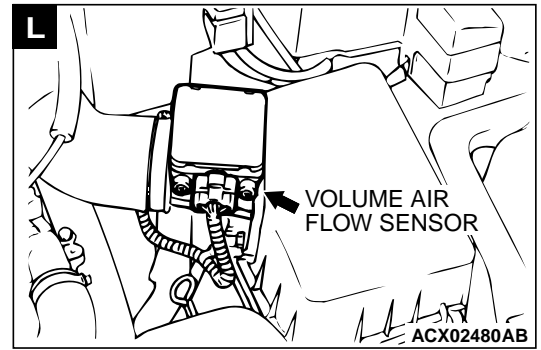
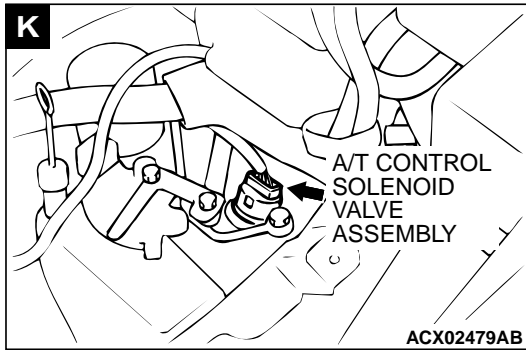
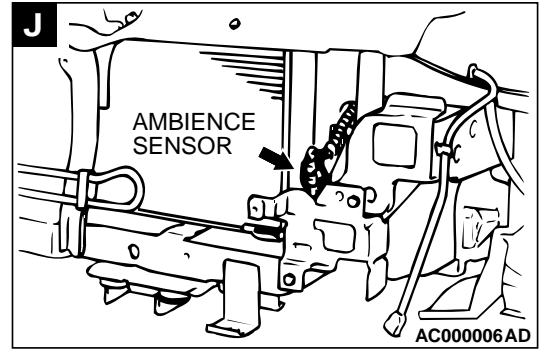
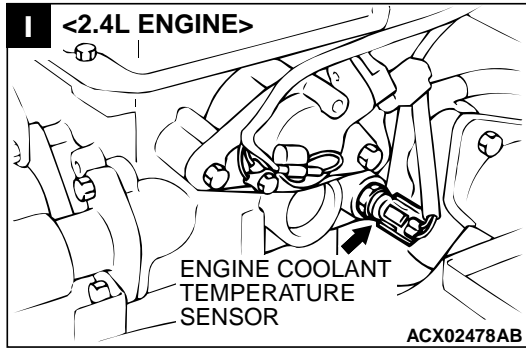


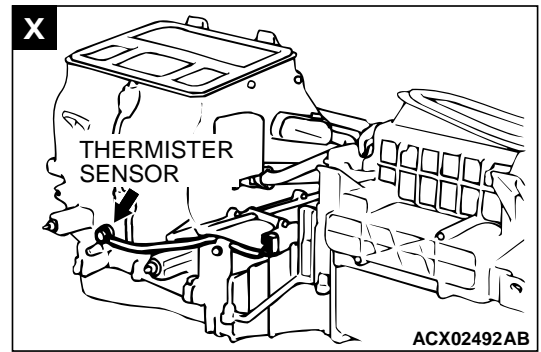
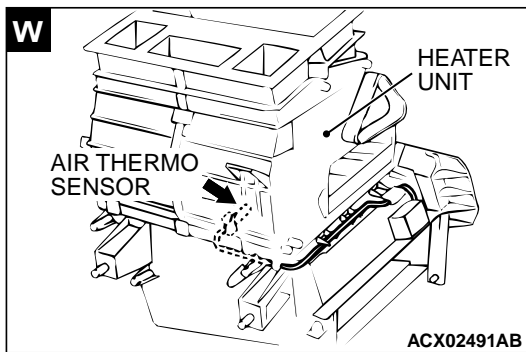
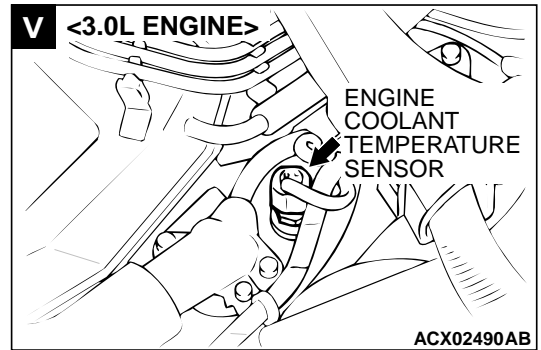
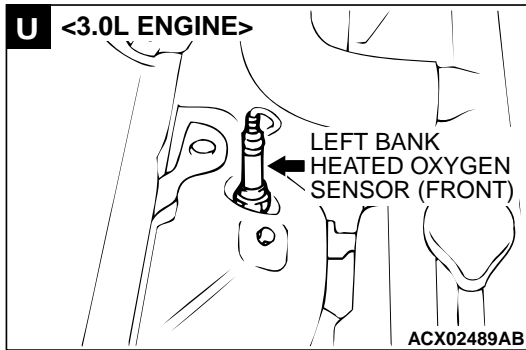
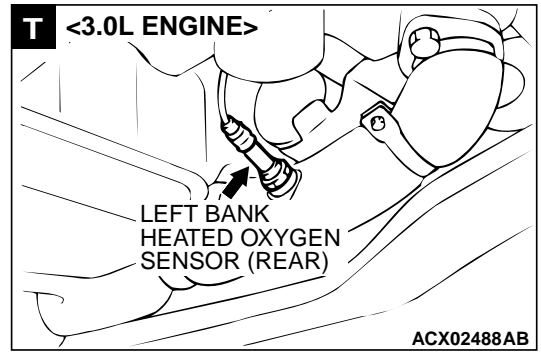
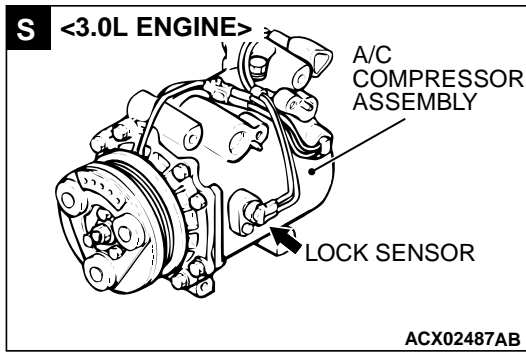
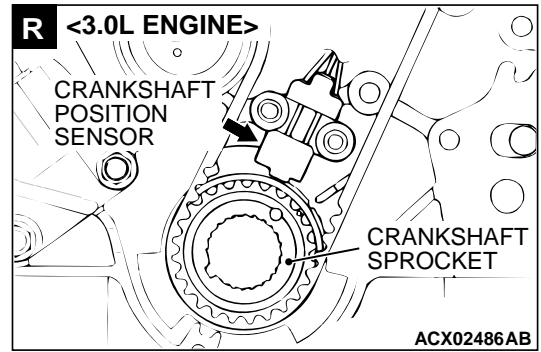
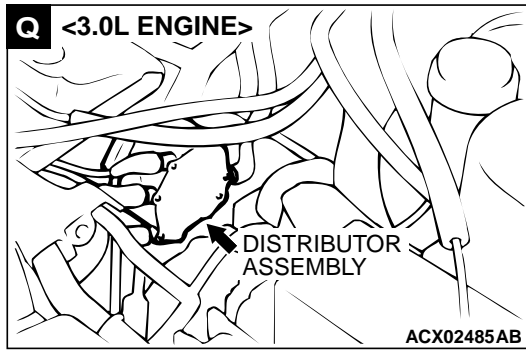
AC003123AB

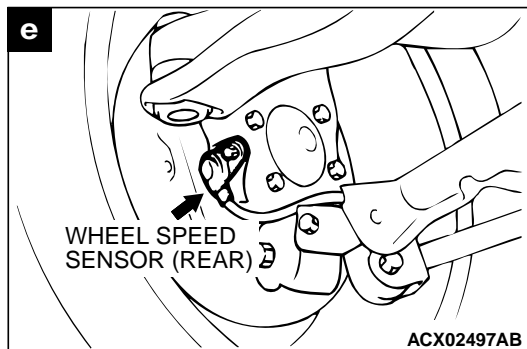
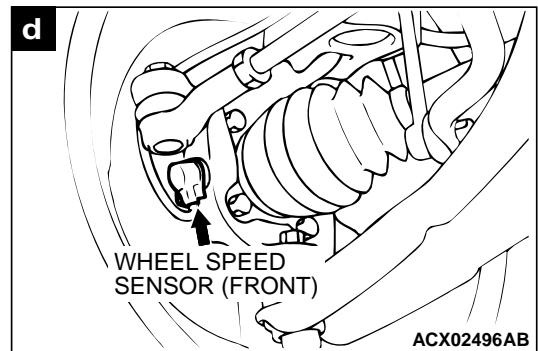
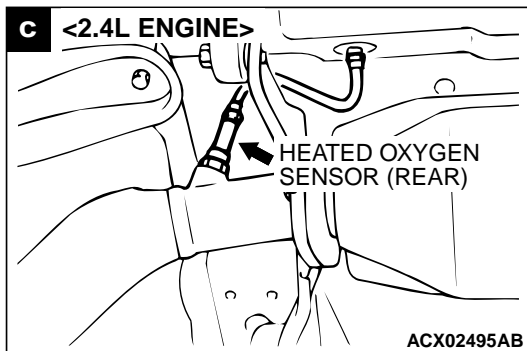
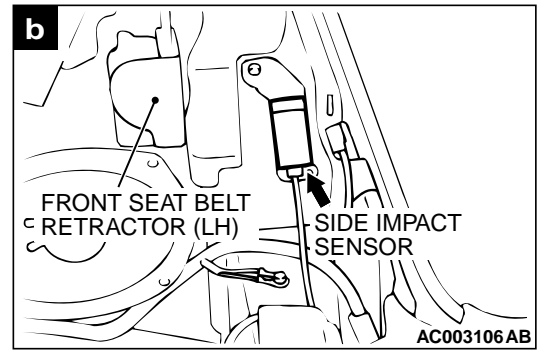
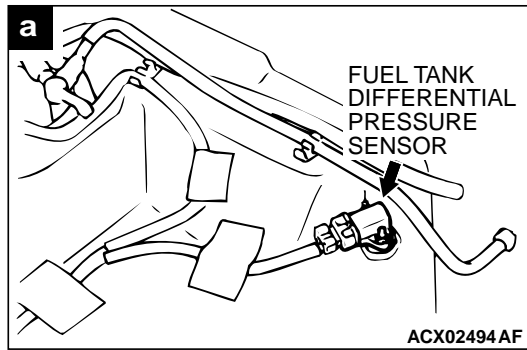
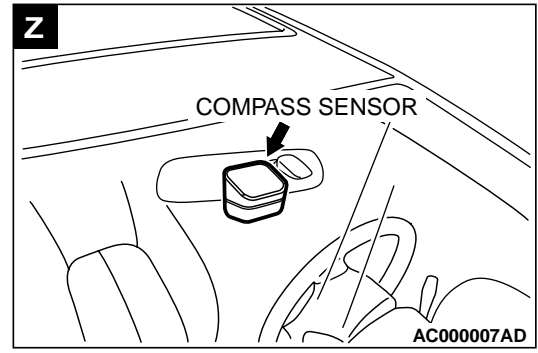
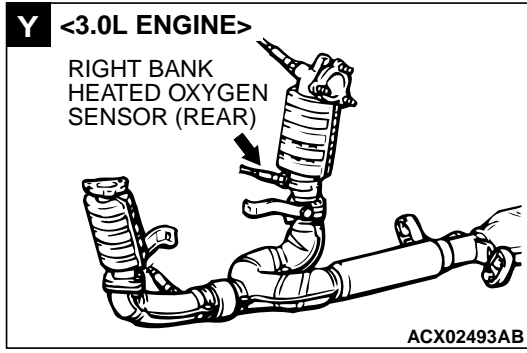
NOTE: The * symbols indicate also equipped at the right side.

TSB Revision





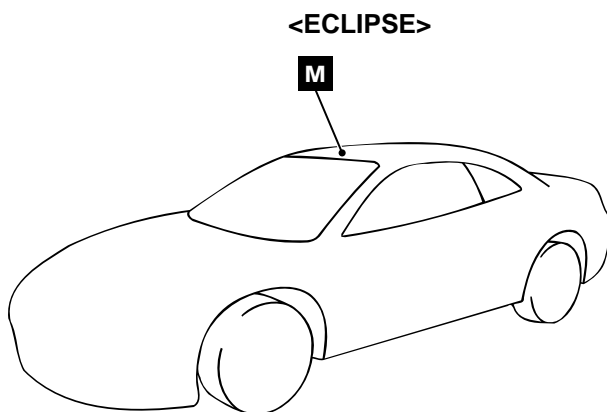
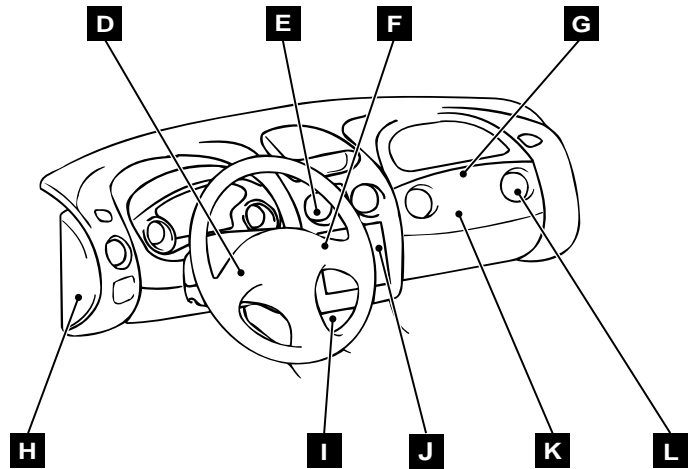
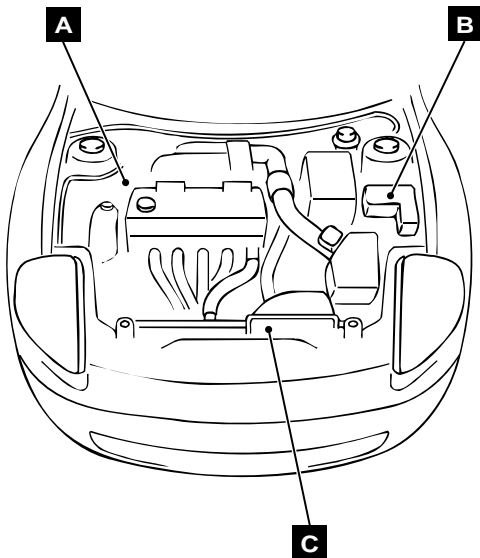




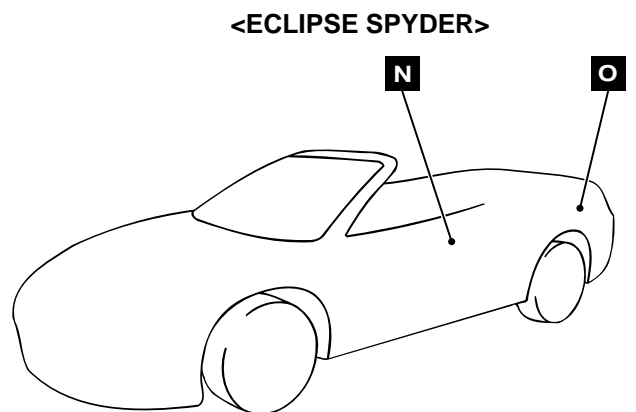
CONTROL UNIT

M1701000700081

NAME	SYMBOL	NAME	SYMBOL
ABS-ECU	A	Fan controller	C
Auto-cruise control-ECU	F	Front-ECU	B
Automatic compressor controller <A/C>	G	Immobilizer-ECU	J
Column-ECU	D	Multi center display unit	E
Compass-ECU	L	Powertrain control module <A/T>	K
Convertible top control module <ECLIPSE SPYDER>	N	SRS-ECU	I
Engine control module <M/T>	K	Sunroof motor assembly (with built-in CPU) <ECLIPSE>	M
ETACS-ECU	H	Motor antenna assembly (with built-in motor antenna-ECU) <ECLIPSE SPYDER>	O

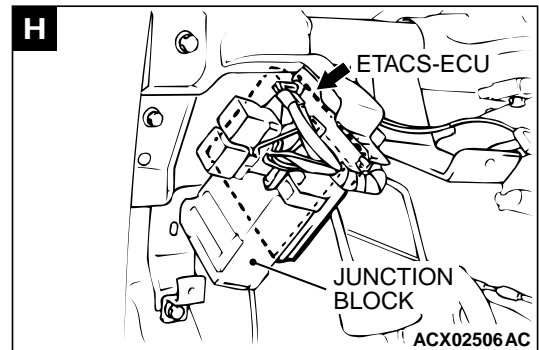
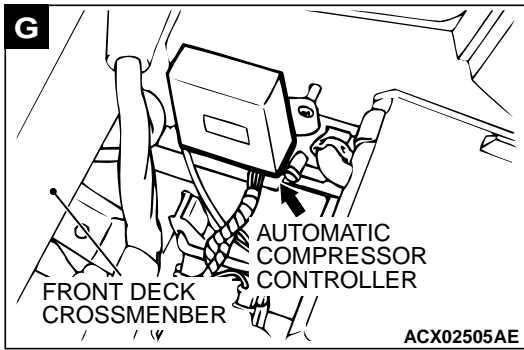
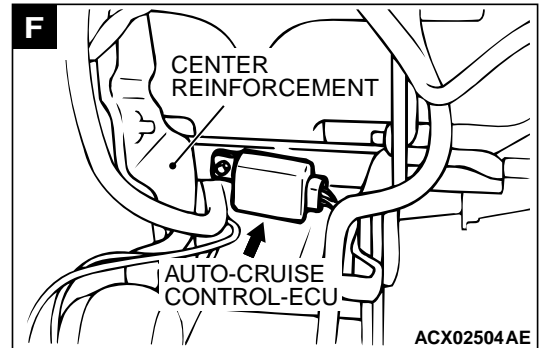
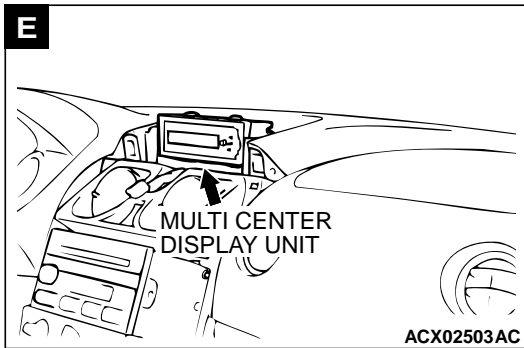
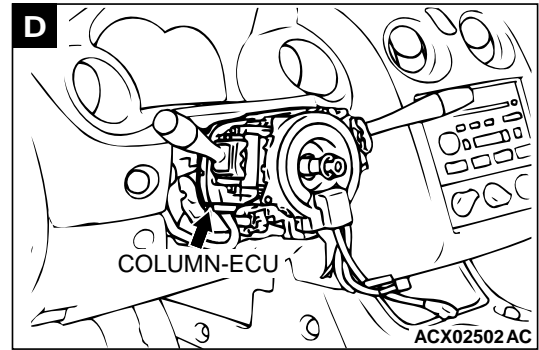
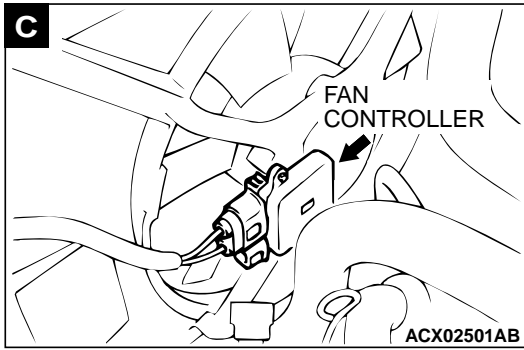
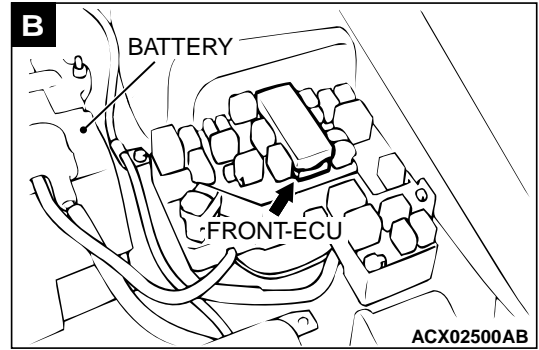
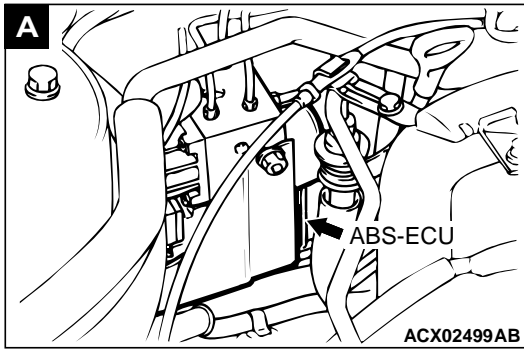


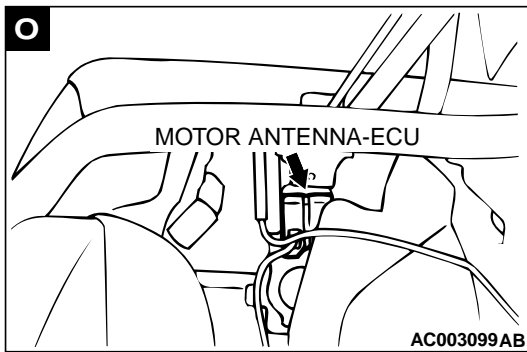
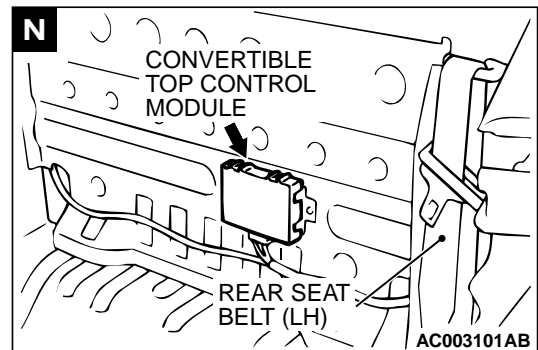
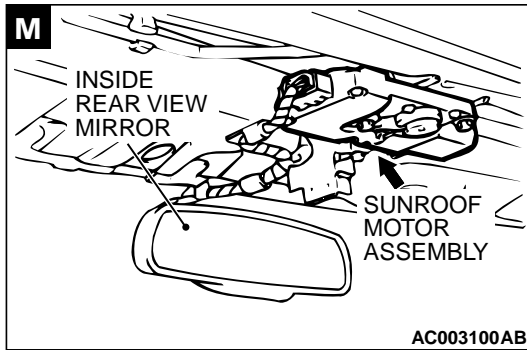
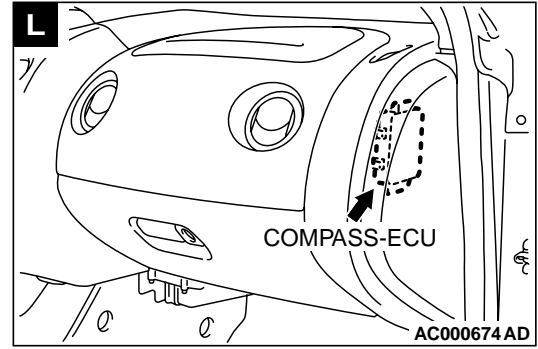
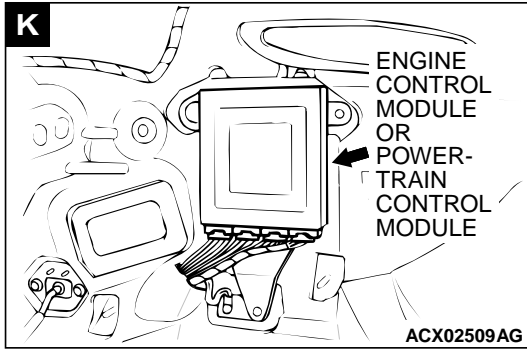
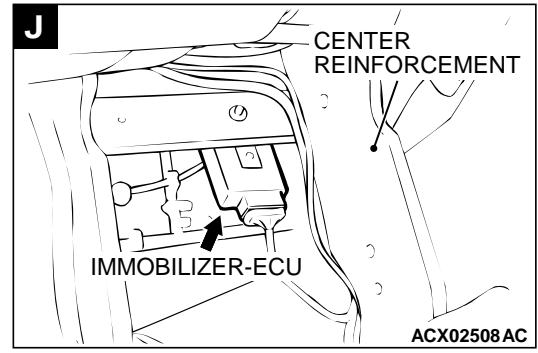
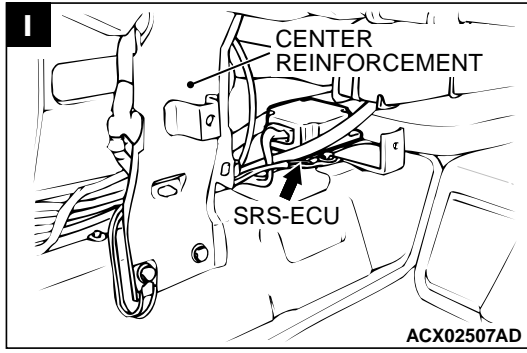
<ECLIPSE>



<ECLIPSE SPYDER>

AC003124AB



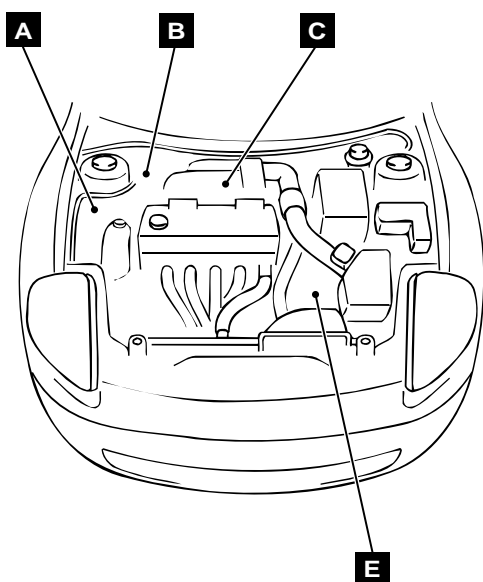


SOLENOID AND SOLENOID VALVE

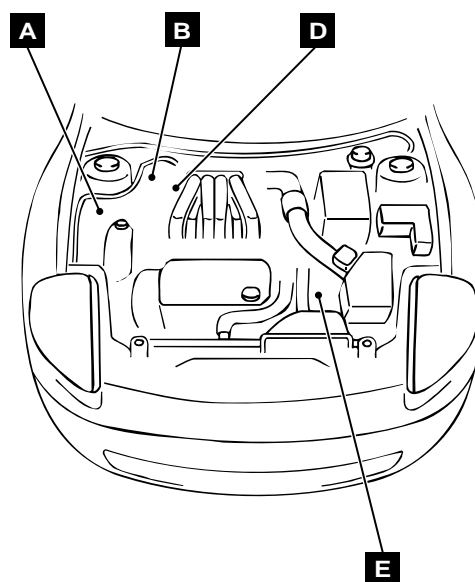
M1701000800088

NAME	SYMBOL	NAME	SYMBOL
A/T control solenoid valve assembly	E	Evaporative emission purge solenoid valve <2.4L Engine>	C
Auto-cruise control vacuum pump (with built-in control valve and release valve)	A	Evaporative emission purge solenoid valve <3.0L Engine>	D
EGR solenoid valve <2.4L Engine>	C	Evaporative emission ventilation solenoid	F
EGR solenoid valve <3.0L Engine>	D	Hydraulic unit (with built-in ABS solenoid valve)	B

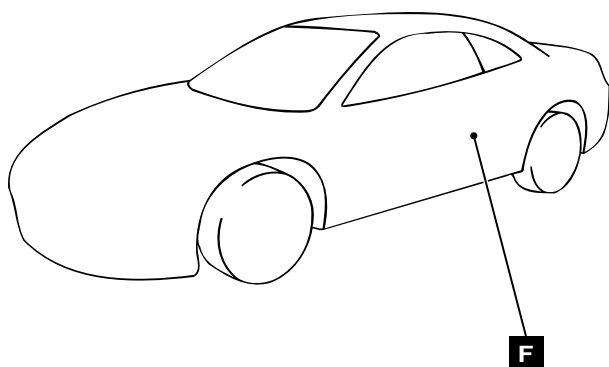
<2.4L ENGINE>



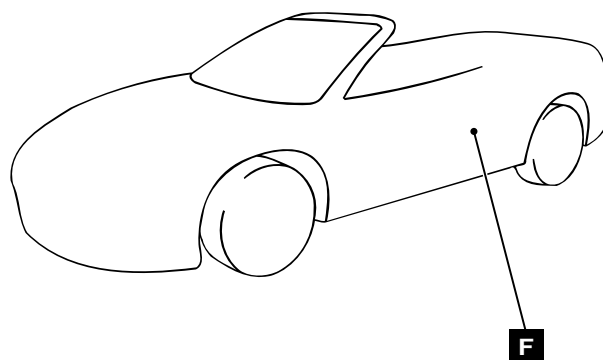
<3.0L ENGINE>



<ECLIPSE>

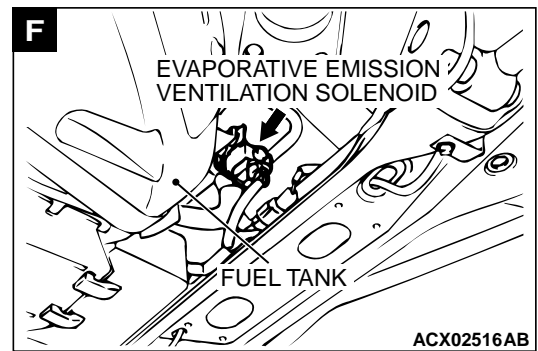
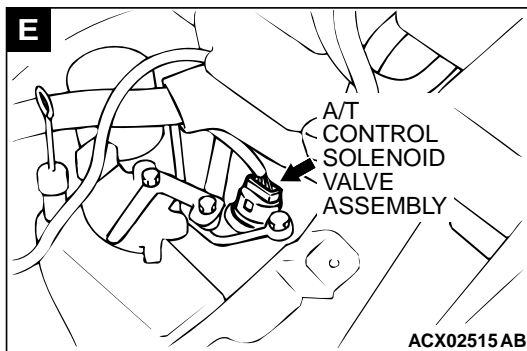
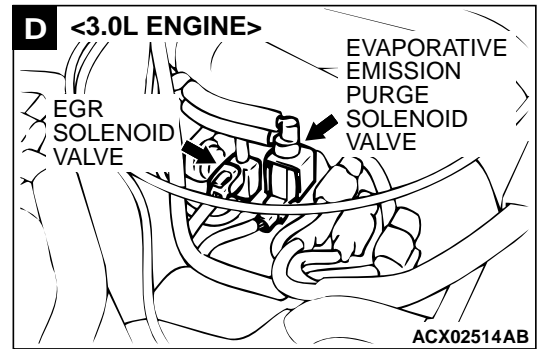
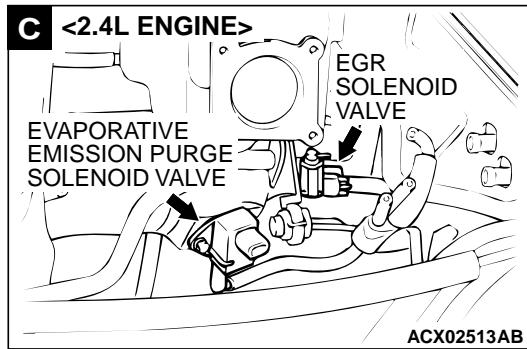
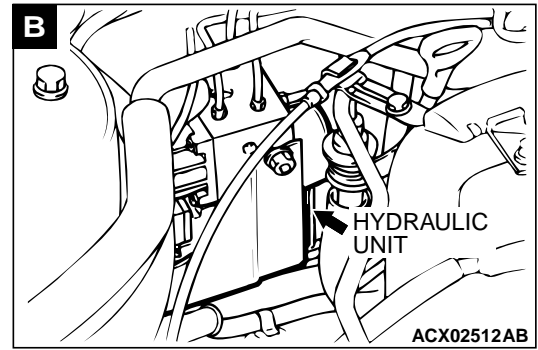
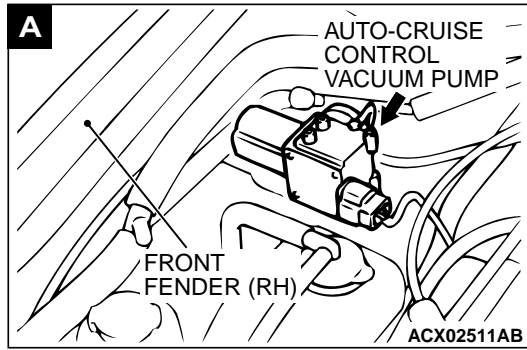


<ECLIPSE SPYDER>



AC003125AB

TSB Revision



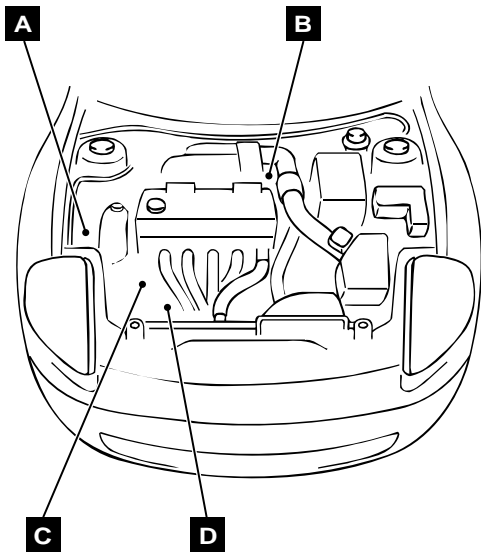
OTHER DEVICES

M1701005600089

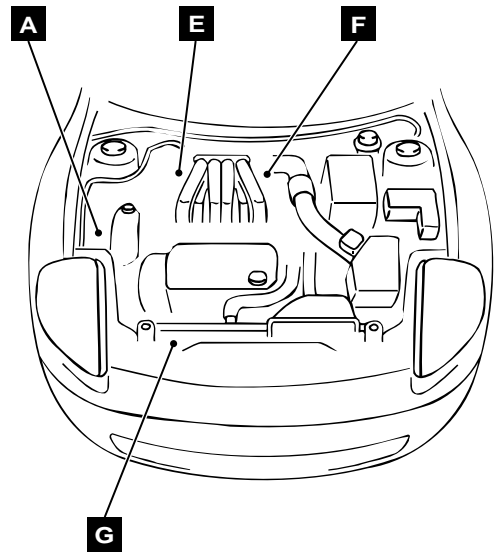
NAME	SYMBOL	NAME	SYMBOL
A/C compressor assembly (built-in A/C refrigerant temperature switch) <2.4L Engine>	D	Idle air control motor <3.0L Engine>	F
A/C compressor assembly (built-in A/C refrigerant temperature switch) <3.0L Engine>	G	Power steering pressure switch <2.4L Engine>	C
Dual pressure switch	A	Power steering pressure switch <3.0L Engine>	E
Idle air control motor <2.4L Engine>	B		

TSB Revision

<2.4L ENGINE>



<3.0L ENGINE>



AC003126AB

