
GROUP 27

REAR AXLE

CONTENTS

GENERAL DESCRIPTION..... 27-2

GENERAL DESCRIPTION

M2270000100166

The rear axle has the following features:

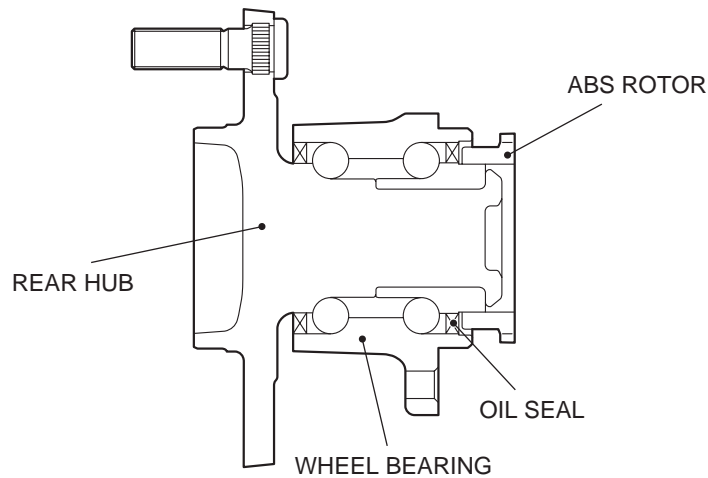
- The wheel bearing incorporates a unit ball bearing (double-row angular contact ball bearing) for reduced friction.
- The rear wheel hub assembly combines the hub, wheel bearing, and oil seal in a single unit for fewer parts, better durability, improved assembly precision, and better structural organization.
- ABS rotor for detecting the wheel speeds is press-fitted to the rear hub.

SPECIFICATIONS

ITEM		SPECIFICATION
Wheel bearing	Type	Unit ball bearing (Double-row angular contact ball bearing)

NOTE: The wheel bearing is part of the hub, therefore its size is not listed here.

CONSTRUCTION DIAGRAM



AC305169 AB