

GROUP 80B

SPLICE LOCATIONS

CONTENTS

HOW TO READ SPLICE LOCATIONS.....	80B-2	FLOOR AND ROOF <ECLIPSE>.....	80B-14
INDEX.....	80B-3	FLOOR AND WINDSHIELD APERTURE <ECLIPSE SPYDER>.....	80B-15
ENGINE COMPARTMENT.....	80B-5	DOOR.....	80B-16
ENGINE AND TRANSAXLE.....	80B-6	LUGGAGE COMPARTMENT <ECLIPSE>.....	80B-17
DASH PANEL.....	80B-8	LUGGAGE COMPARTMENT <ECLIPSE SPYDER>.....	80B-18

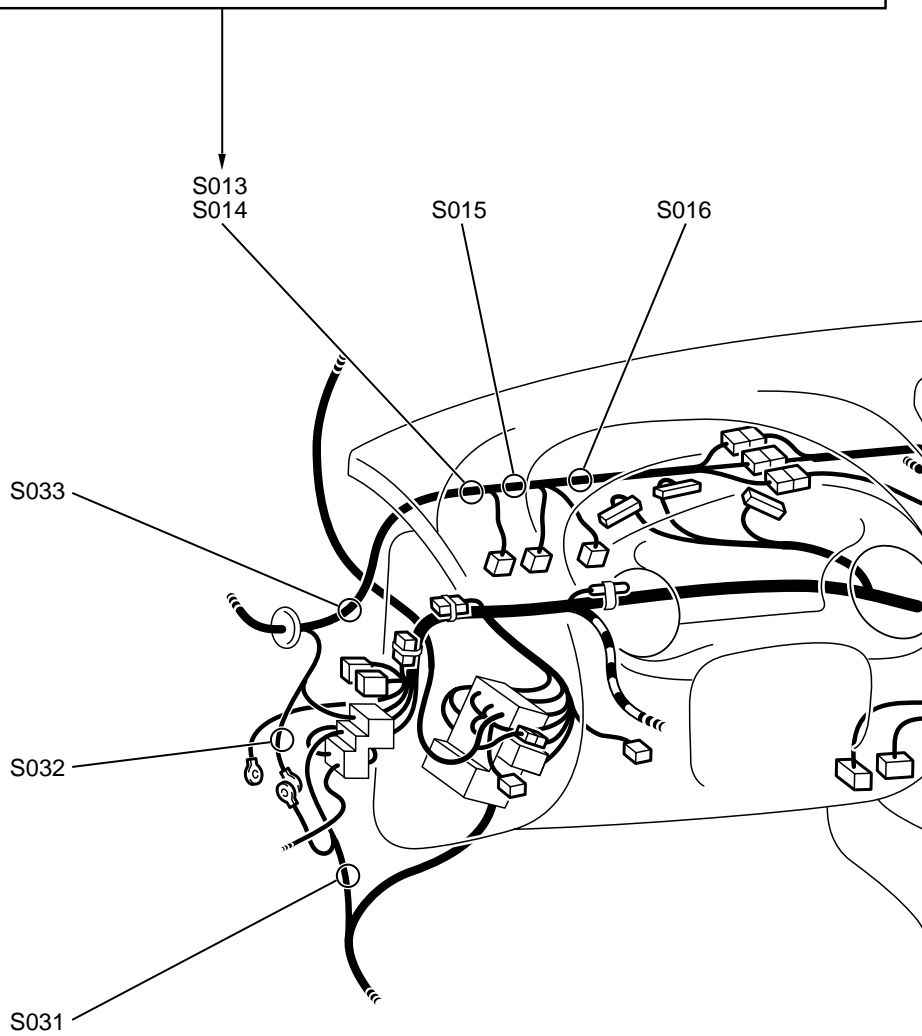
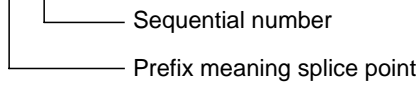
HOW TO READ SPLICE LOCATIONS

M1802000100261

"Splice locations" describes splice points of each wiring harness on an actual vehicle.

Indicates a splice point number.
The splice point numbers are identical to those in "CIRCUIT DIAGRAMS," making them easy to use.
In addition, the splice point numbers are usually numbered clockwise.

Example: S 013



AC003587 AB

INDEX

M1802000900342

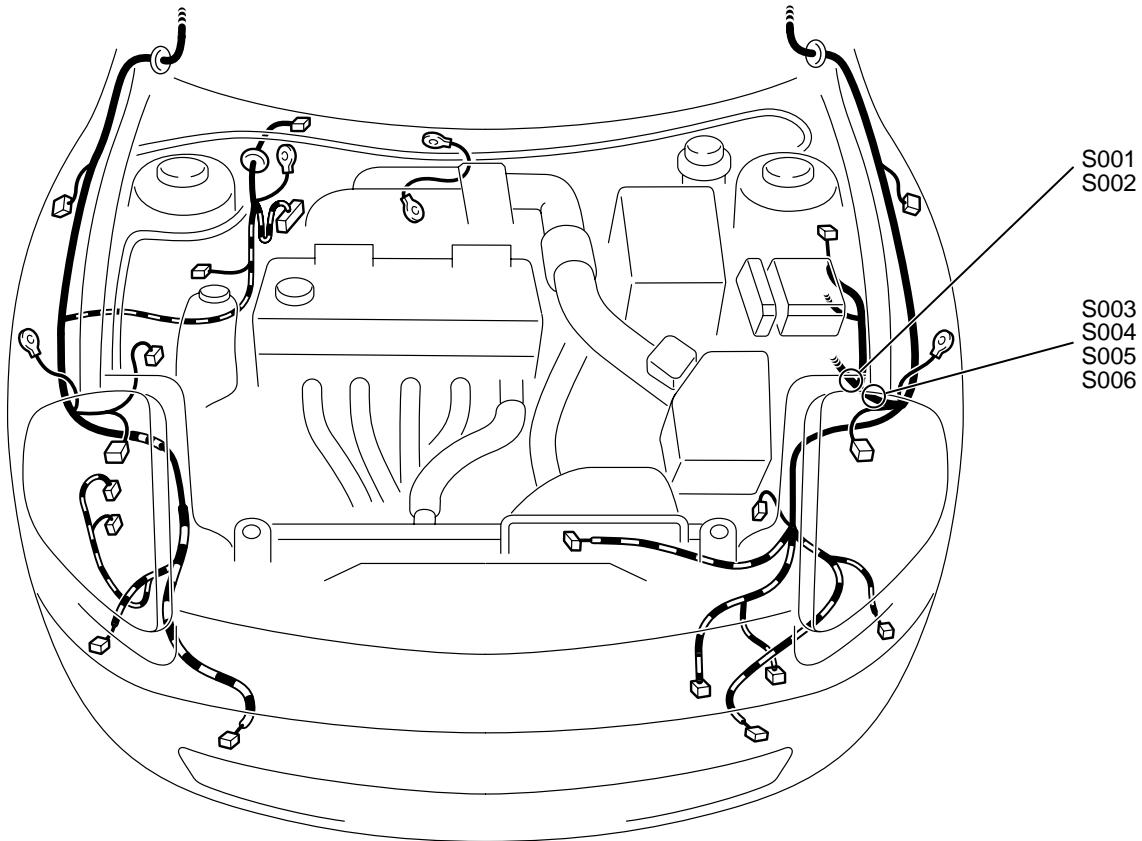
This index shows the page numbers where the splice locations are.

SPLICE LOCATION NO.	PAGE	SPLICE LOCATION NO.	PAGE	SPLICE LOCATION NO.	PAGE	SPLICE LOCATION NO.	PAGE
S001	P.80B-5	S031	P.80B-6	S061	P.80B-6	S091	P.80B-8
S002	P.80B-5	S032	P.80B-6	S062	P.80B-6	S092	P.80B-8
S003	P.80B-5	S033	P.80B-6	S063	P.80B-8	S093	P.80B-8
S004	P.80B-5	S034	P.80B-6	S064	P.80B-8	S094	P.80B-8
S005	P.80B-5	S035	P.80B-6	S065	P.80B-8	S095	P.80B-8
S006	P.80B-5	S036	P.80B-6	S066	P.80B-8	S096	P.80B-8
S007	P.80B-6	S037	P.80B-6	S067	P.80B-8	S097	P.80B-8
S008	P.80B-6	S038	P.80B-6	S068	P.80B-8	S098	P.80B-8
S009	P.80B-6	S039	P.80B-6	S069	P.80B-8	S099	P.80B-8
S010	P.80B-6	S040	P.80B-6	S070	P.80B-8	S100	P.80B-8
S011	P.80B-6	S041	P.80B-6	S071	P.80B-8	S101	P.80B-8
S012	P.80B-6	S042	P.80B-6	S072	P.80B-8	S102	P.80B-8
S013	P.80B-6	S043	P.80B-6	S073	P.80B-8	S103	P.80B-8
S014	P.80B-6	S044	P.80B-6	S074	P.80B-8	S104	P.80B-8
S015	P.80B-6	S045	P.80B-6	S075	P.80B-8	S105	P.80B-8
S016	P.80B-6	S046	P.80B-6	S076	P.80B-8	S106	P.80B-8
S017	P.80B-6	S047	P.80B-6	S077	P.80B-8	S107	P.80B-8
S018	P.80B-6	S048	P.80B-6	S078	P.80B-8	S108	P.80B-8
S019	P.80B-6	S049	P.80B-6	S079	P.80B-8	S109	P.80B-8
S020	P.80B-6	S050	P.80B-6	S080	P.80B-8	S110	P.80B-8
S021	P.80B-6	S051	P.80B-6	S081	P.80B-8	S111	P.80B-8
S022	P.80B-6	S052	P.80B-6	S082	P.80B-8	S112	P.80B-8
S023	P.80B-6	S053	P.80B-6	S083	P.80B-8	S113	P.80B-8
S024	P.80B-6	S054	P.80B-6	S084	P.80B-8	S114	P.80B-8
S025	P.80B-6	S055	P.80B-6	S085	P.80B-8	S115	P.80B-8
S026	P.80B-6	S056	P.80B-6	S086	P.80B-8	S116	P.80B-8
S027	P.80B-6	S057	P.80B-6	S087	P.80B-8	S117	P.80B-8
S028	P.80B-6	S058	P.80B-6	S088	P.80B-8	S118	P.80B-8
S029	P.80B-6	S059	P.80B-6	S089	P.80B-8	S119	P.80B-8
S030	P.80B-6	S060	P.80B-6	S090	P.80B-8	S120	P.80B-8

SPLICE LOCATION NO.	PAGE	SPLICE LOCATION NO.	PAGE	SPLICE LOCATION NO.	PAGE	SPLICE LOCATION NO.	PAGE
S121	P.80B-8	S145	P.80B-8	S169	P.80B-8	S193	P.80B-17
S122	P.80B-8	S146	P.80B-8	S170	P.80B-8	S194	P.80B-17
S123	P.80B-8	S147	P.80B-8	S171	P.80B-8	S195	P.80B-17
S124	P.80B-8	S148	P.80B-8	S172	P.80B-8	S196	P.80B-17
S125	P.80B-8	S149	P.80B-8	S173	P.80B-8	S197	P.80B-17
S126	P.80B-8	S150	P.80B-8	S174	P.80B-8	S198	P.80B-17
S127	P.80B-8	S151	P.80B-8	S175	P.80B-8	S199	P.80B-17
S128	P.80B-8	S152	P.80B-8	S176	P.80B-8	S200	P.80B-17
S129	P.80B-8	S153	P.80B-8	S177	P.80B-8	S201	P.80B-17
S130	P.80B-8	S154	P.80B-8	S178	P.80B-8	S202	P.80B-17
S131	P.80B-8	S155	P.80B-8	S179	P.80B-8	S203	P.80B-17
S132	P.80B-8	S156	P.80B-8	S180	P.80B-8	S204	P.80B-18
S133	P.80B-8	S157	P.80B-8	S181	P.80B-8	S205	P.80B-18
S134	P.80B-8	S158	P.80B-8	S182	P.80B-8	S206	P.80B-18
S135	P.80B-8	S159	P.80B-8	S183	P.80B-8	S207	P.80B-18
S136	P.80B-8	S160	P.80B-8	S184	P.80B-8	S208	P.80B-18
S137	P.80B-8	S161	P.80B-8	S185	P.80B-14	S209	P.80B-18
S138	P.80B-8	S162	P.80B-8	S186	P.80B-14 P.80B-15	S210	P.80B-8
S139	P.80B-8	S163	P.80B-8	S187	P.80B-14	S211	P.80B-8
S140	P.80B-8	S164	P.80B-8	S188	P.80B-14	S212	P.80B-8
S141	P.80B-8	S165	P.80B-8	S189	P.80B-15	S213	P.80B-8
S142	P.80B-8	S166	P.80B-8	S190	P.80B-15	S214	P.80B-14
S143	P.80B-8	S167	P.80B-8	S191	P.80B-16		P.80B-15
S144	P.80B-8	S168	P.80B-8	S192	P.80B-16		

ENGINE COMPARTMENT

M1802000200279

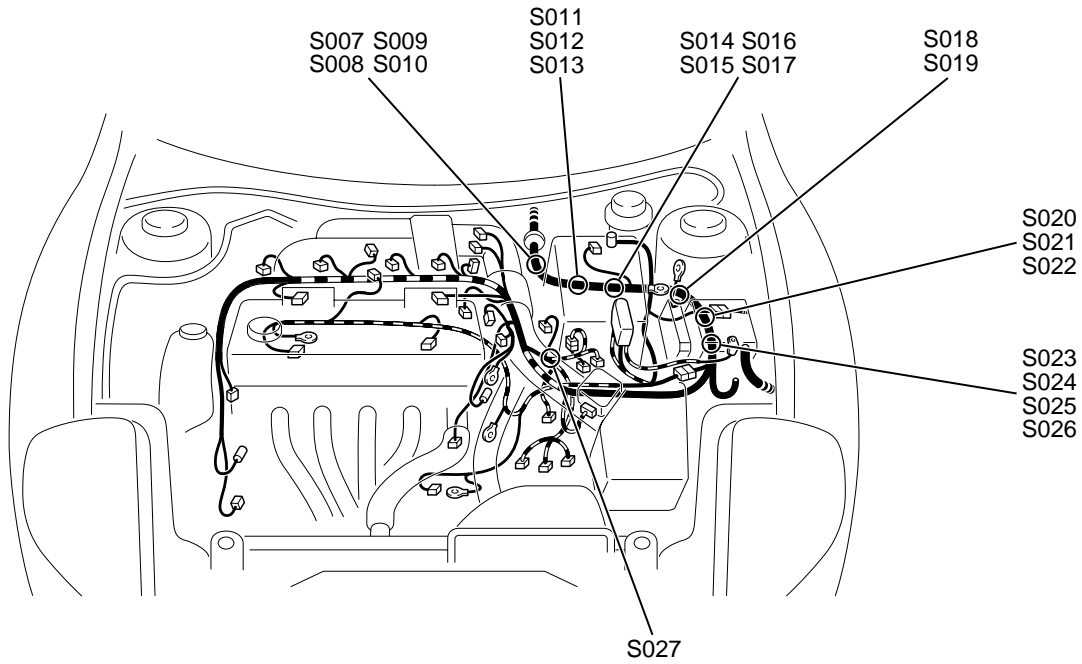


AC106437AB

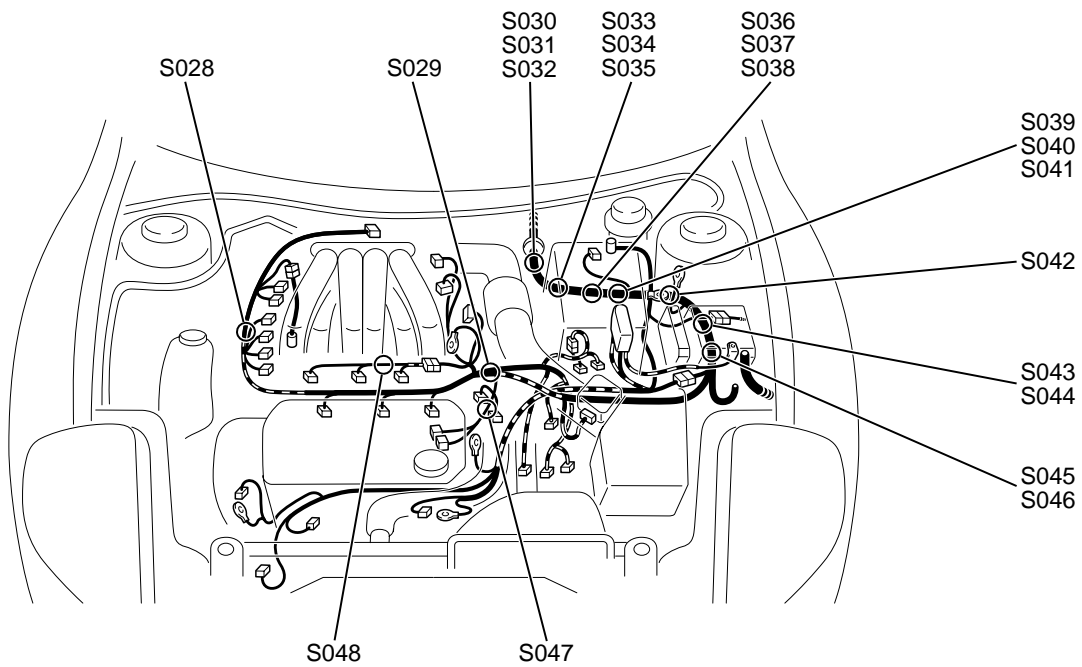
ENGINE AND TRANSAXLE

M1802001400157

2.4L ENGINE

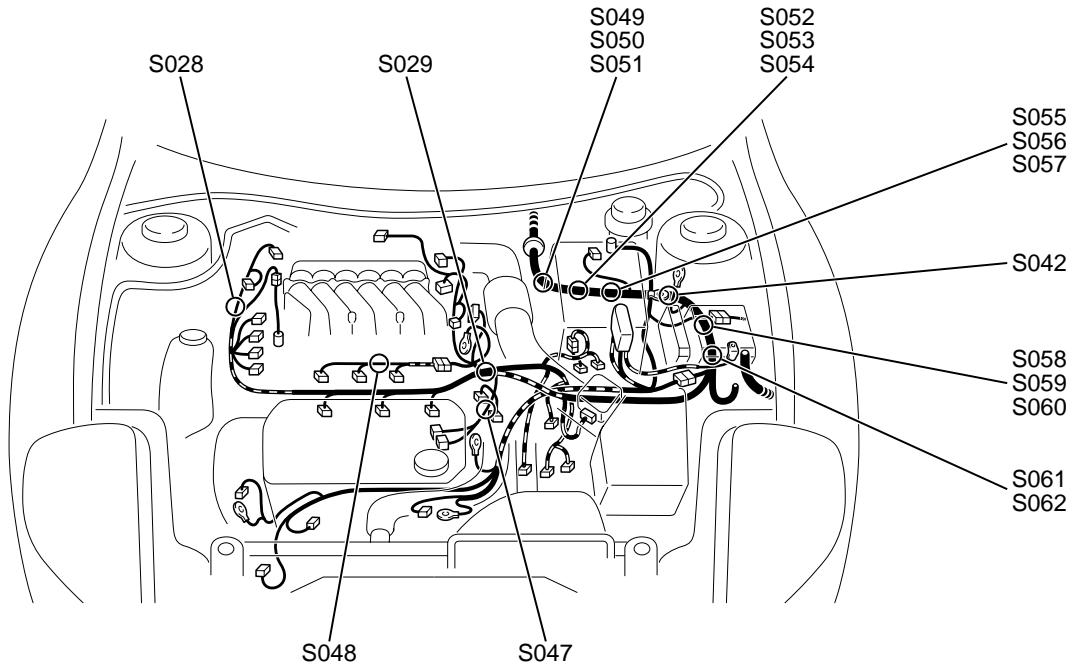


3.0L ENGINE <WITHOUT VARIABLE INDUCTION CONTROL (VIC) SYSTEM>



AC106438 AB

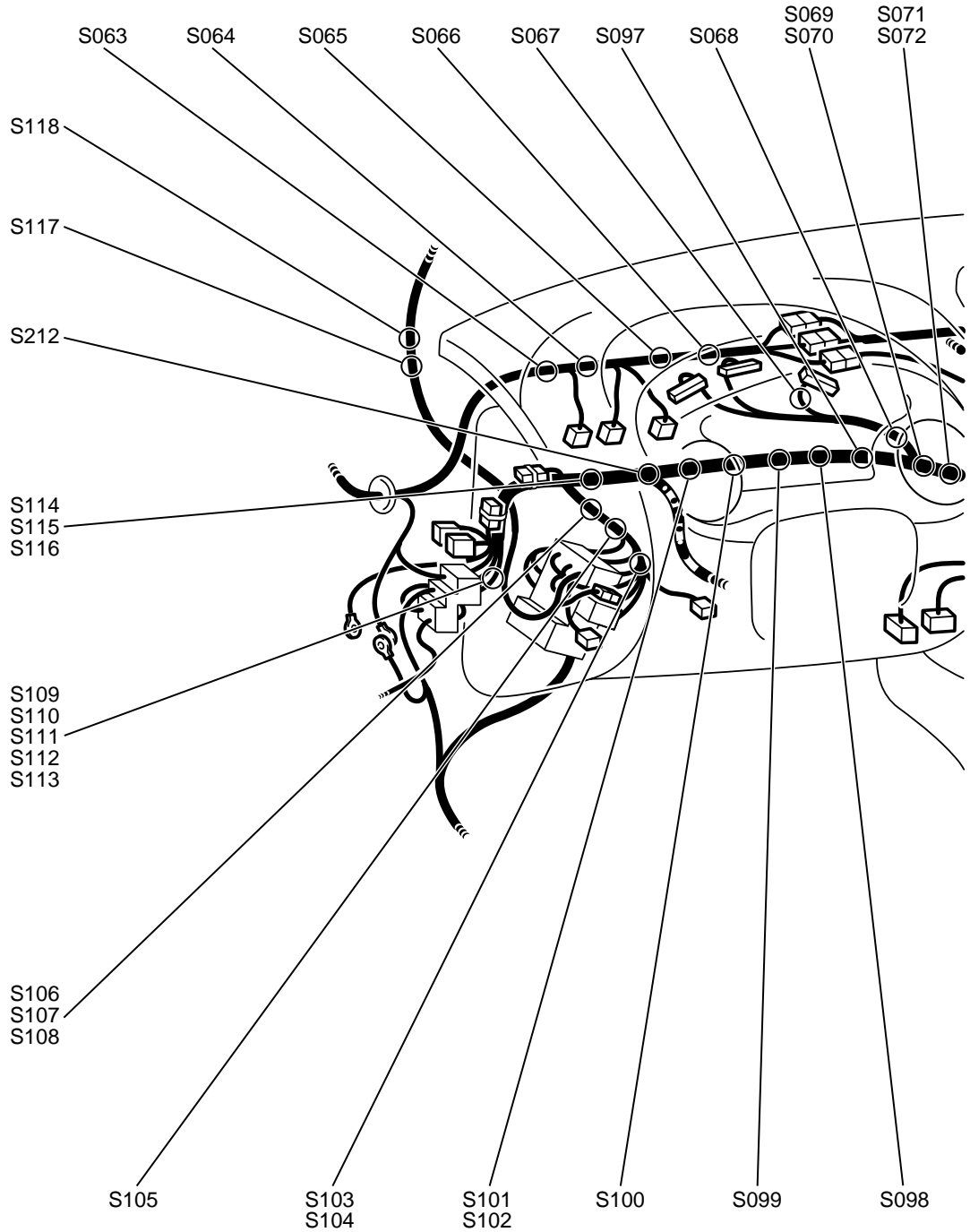
3.0L ENGINE <WITH VARIABLE INDUCTION CONTROL (VIC) SYSTEM>



AC106439AB

DASH PANEL

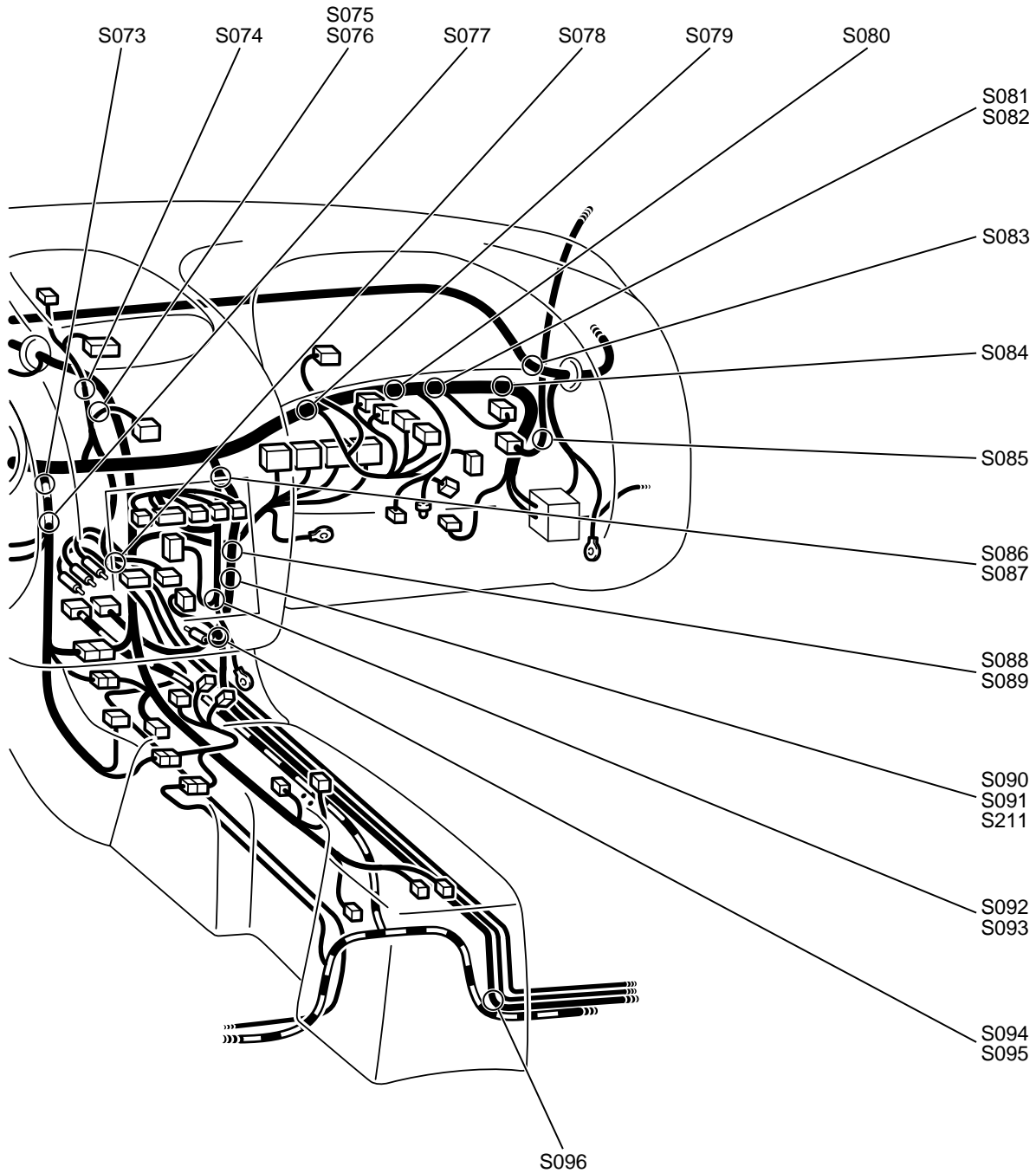
M1802000300276



AC102635AC

**SPLICE LOCATIONS
DASH PANEL**

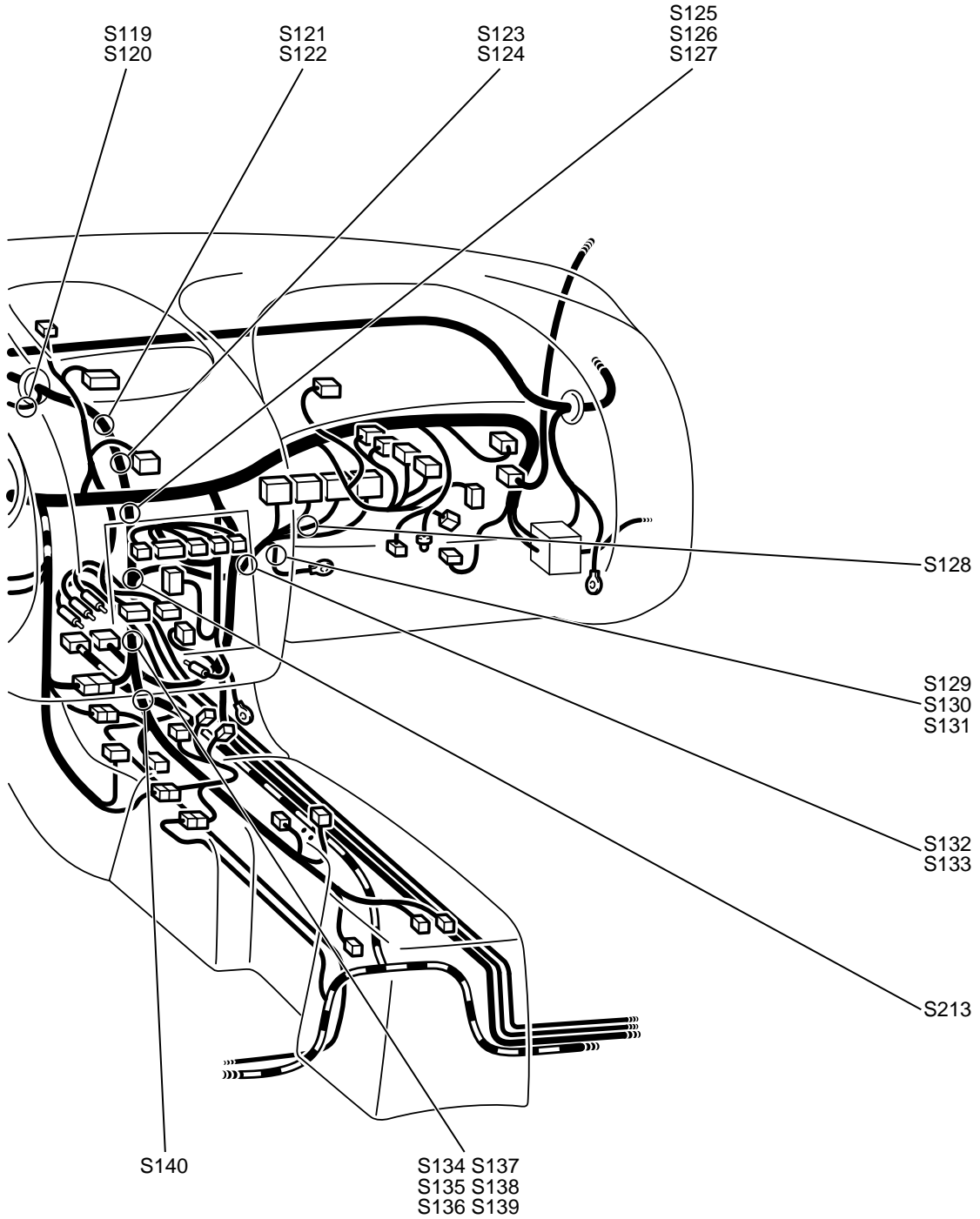
80B-9



AC106440 AB

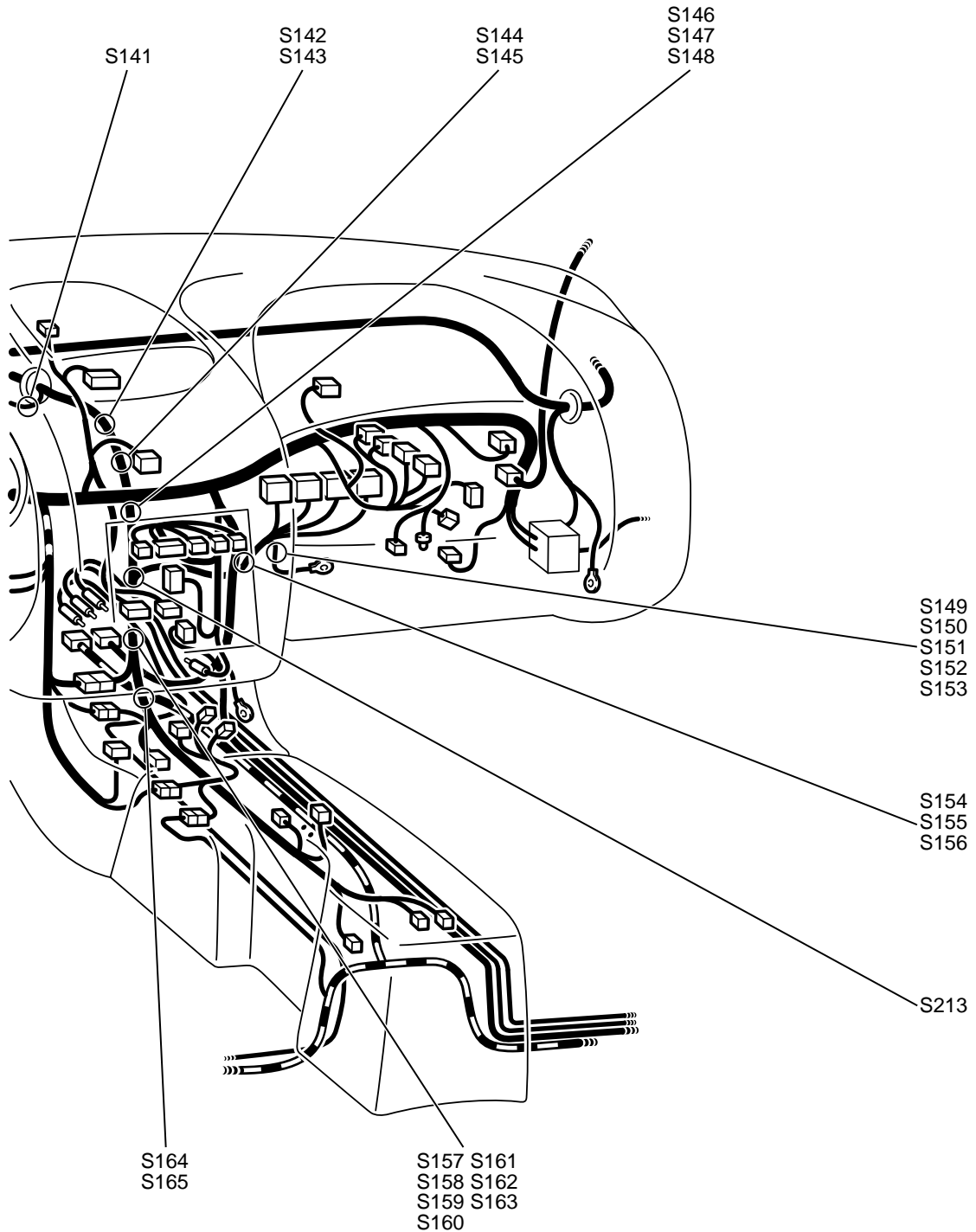
TSB Revision

2.4L ENGINE



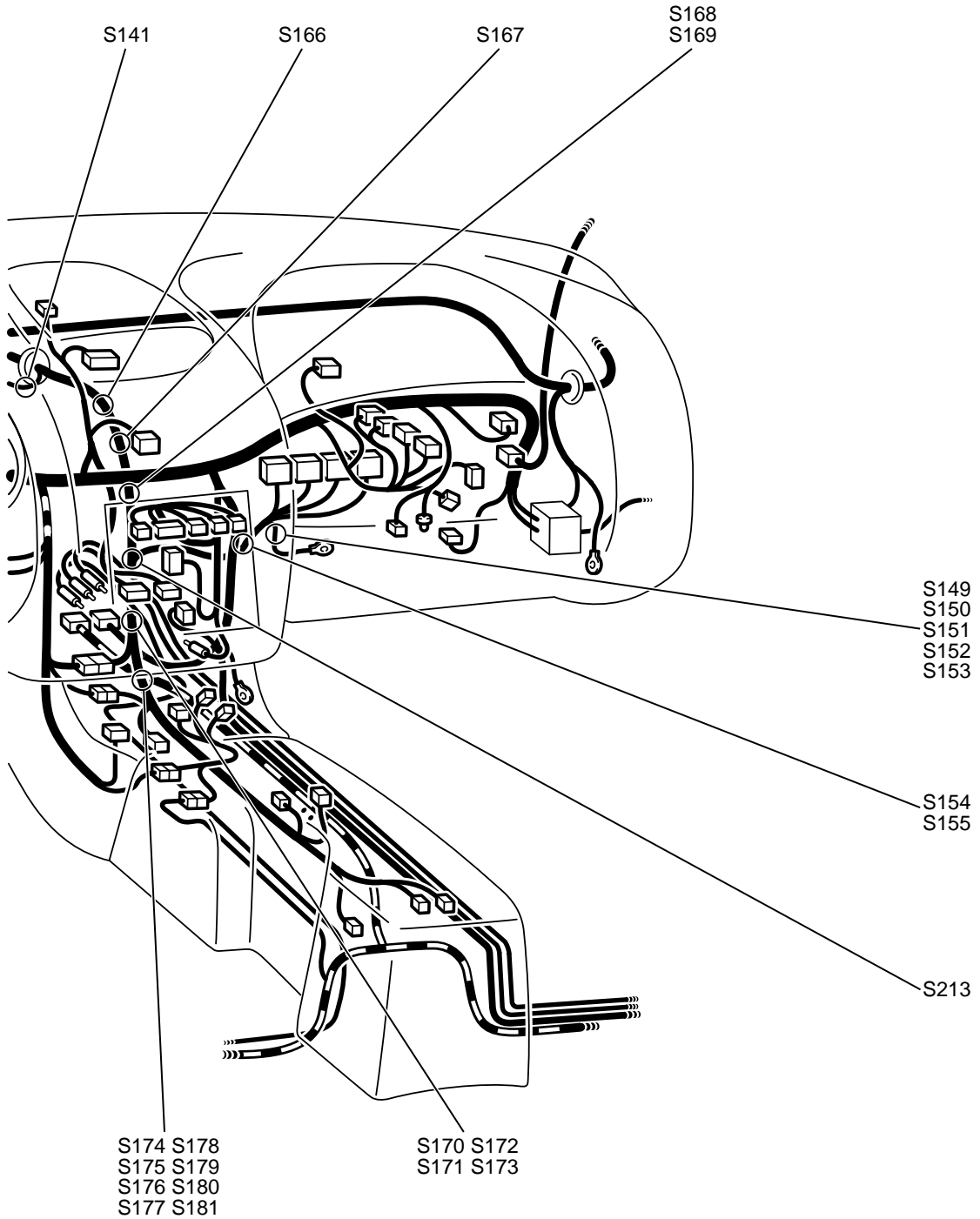
AC106441 AB

3.0L ENGINE <WITHOUT VARIABLE INDUCTION CONTROL (VIC) SYSTEM>



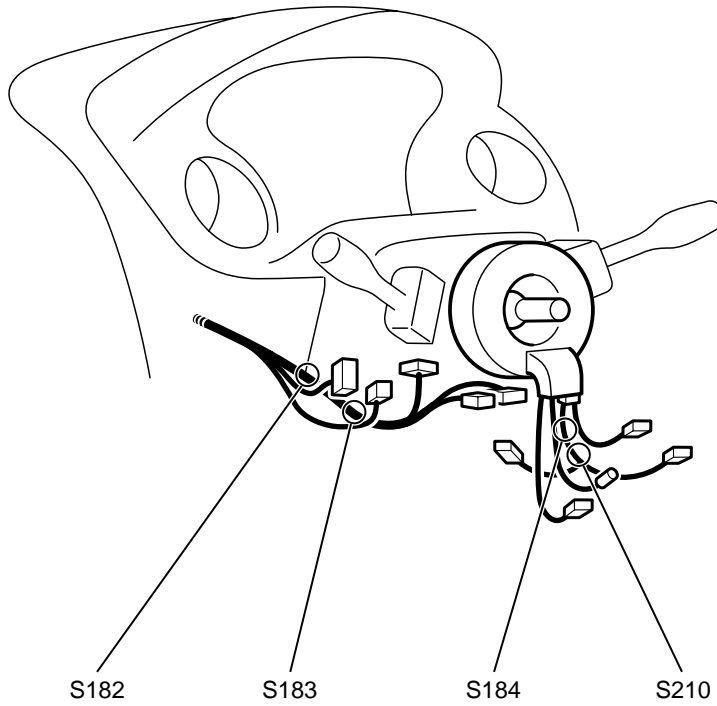
AC106441 AC

3.0L ENGINE <WITH VARIABLE INDUCTION CONTROL (VIC) SYSTEM>



AC106441AD

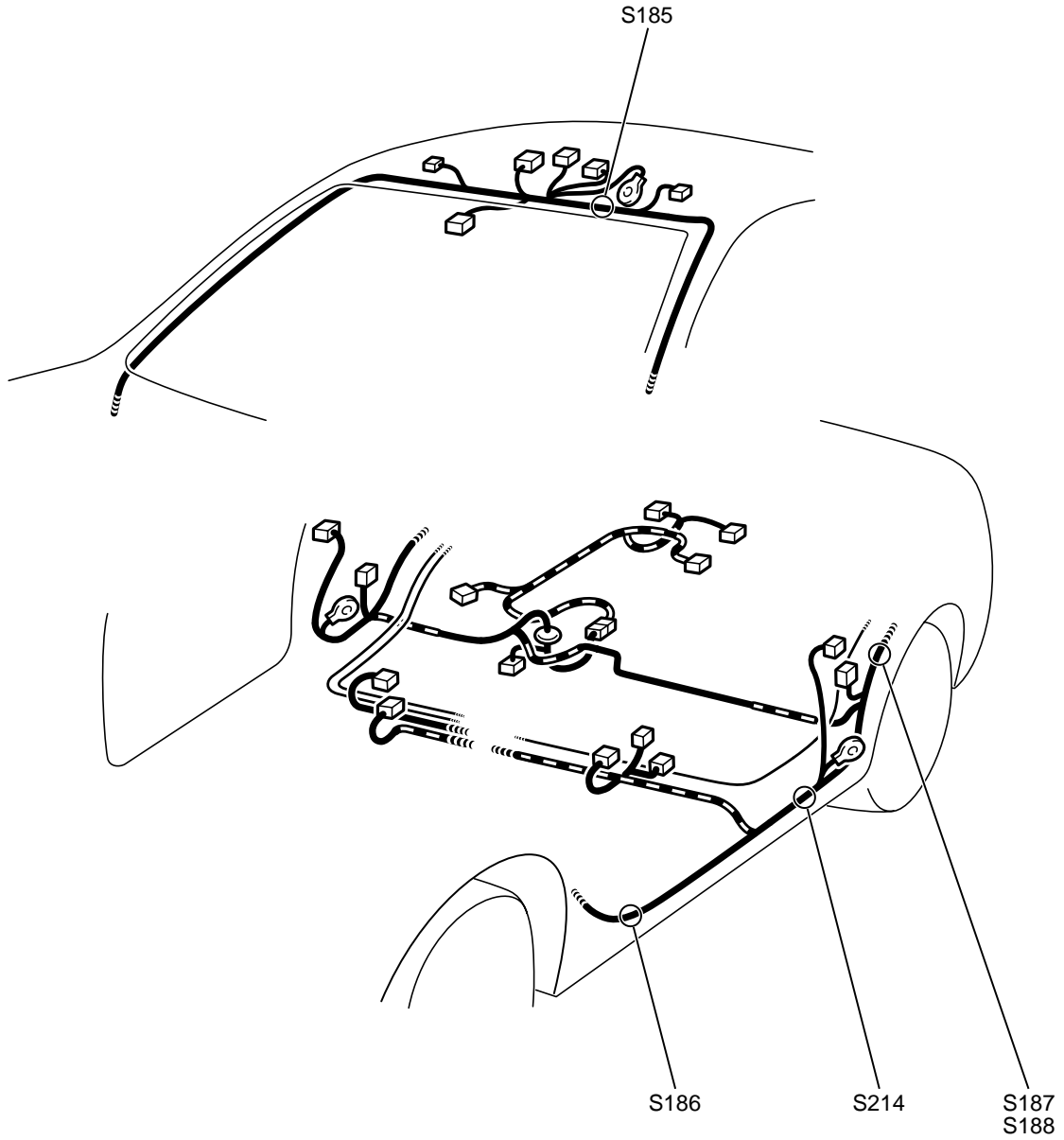
STEERING COLUMN



AC106442 AB

FLOOR AND ROOF <ECLIPSE>

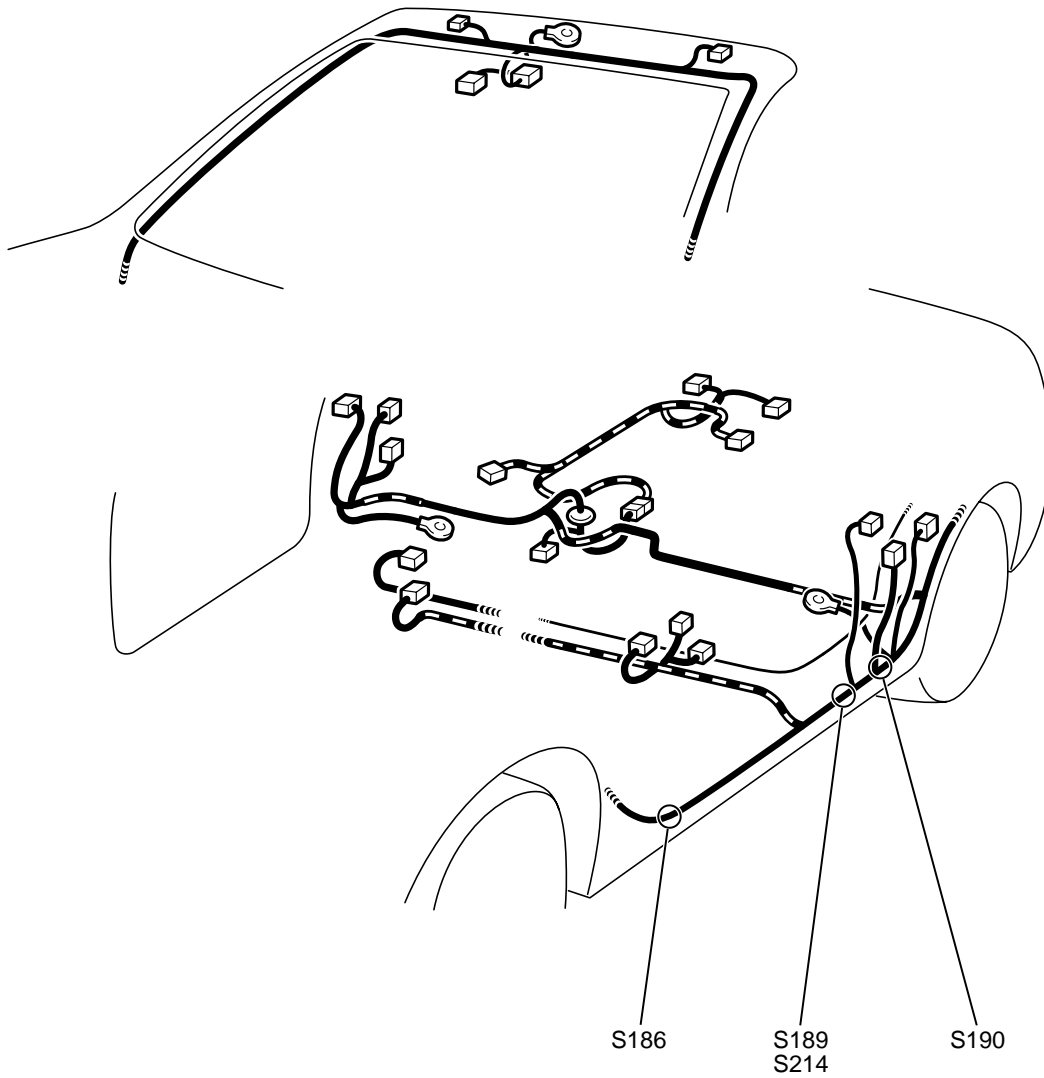
M1802001200261



AC102639AC

**FLOOR AND WINDSHIELD APERTURE
<ECLIPSE SPYDER>**

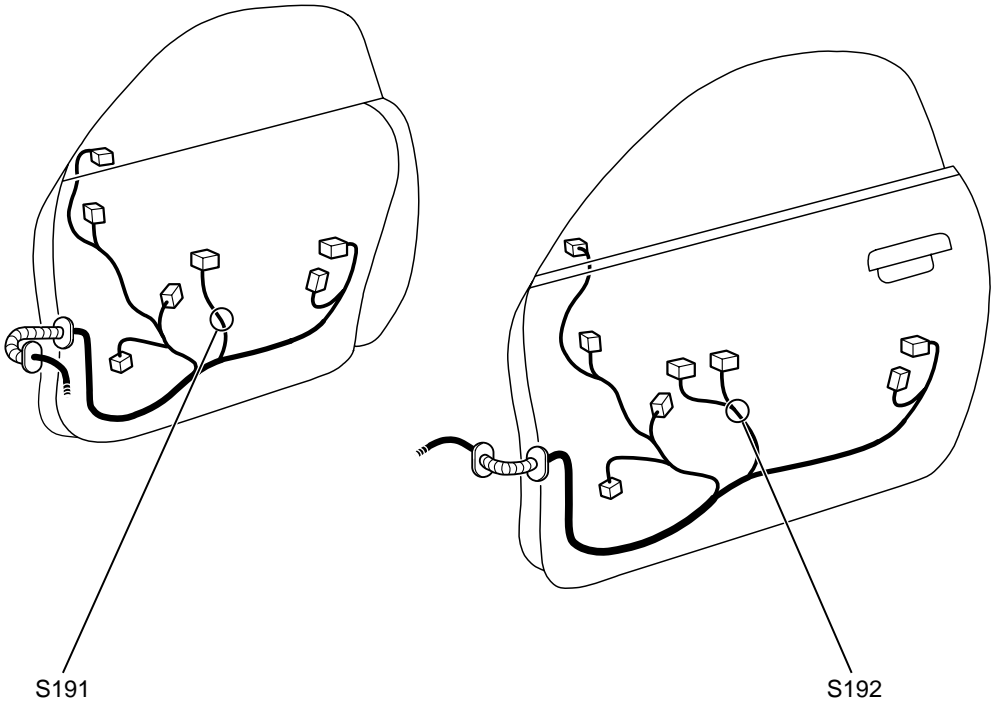
M1802001200272



AC106443AB

DOOR

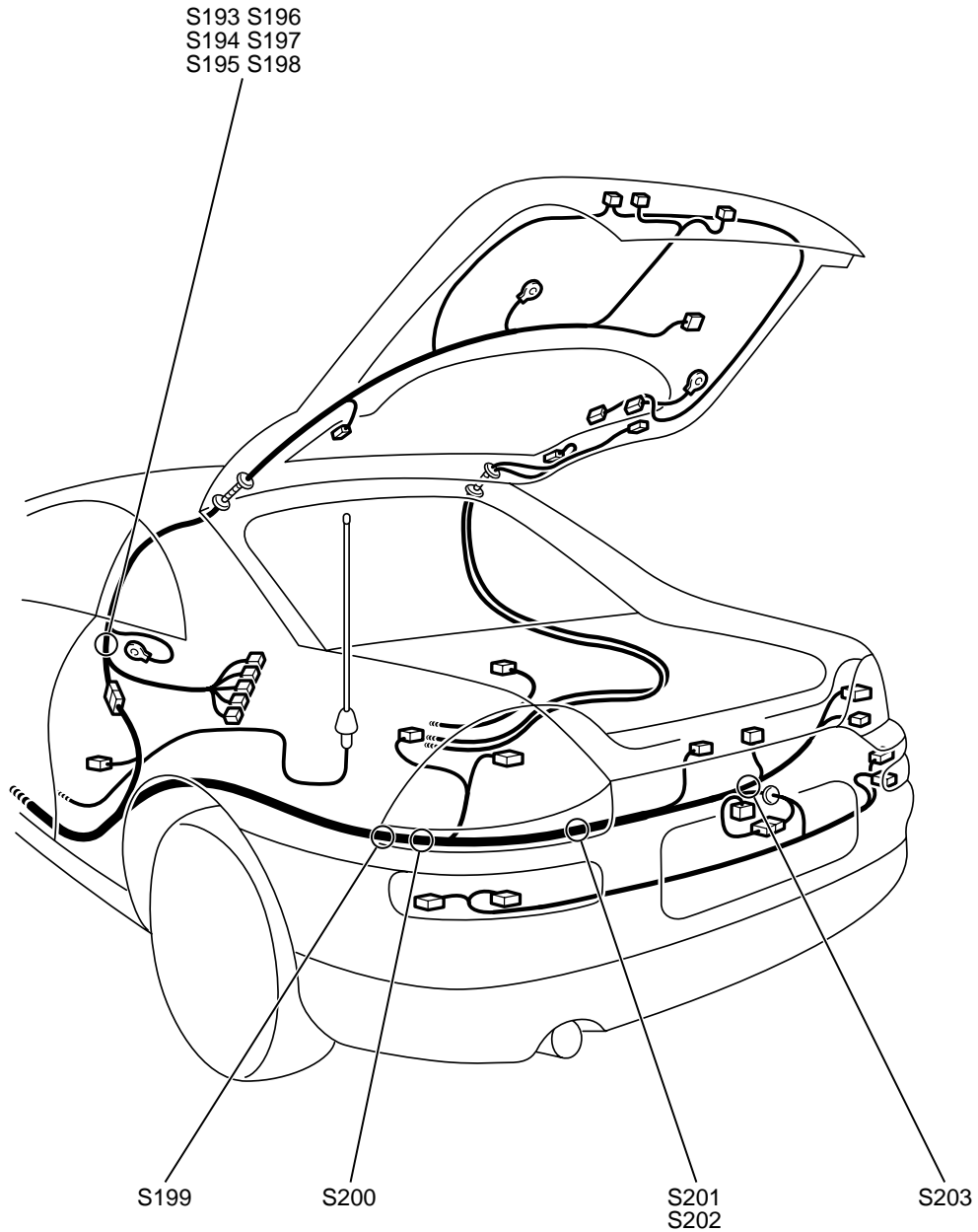
M1802000800259



AC106444 AB

LUGGAGE COMPARTMENT <ECLIPSE>

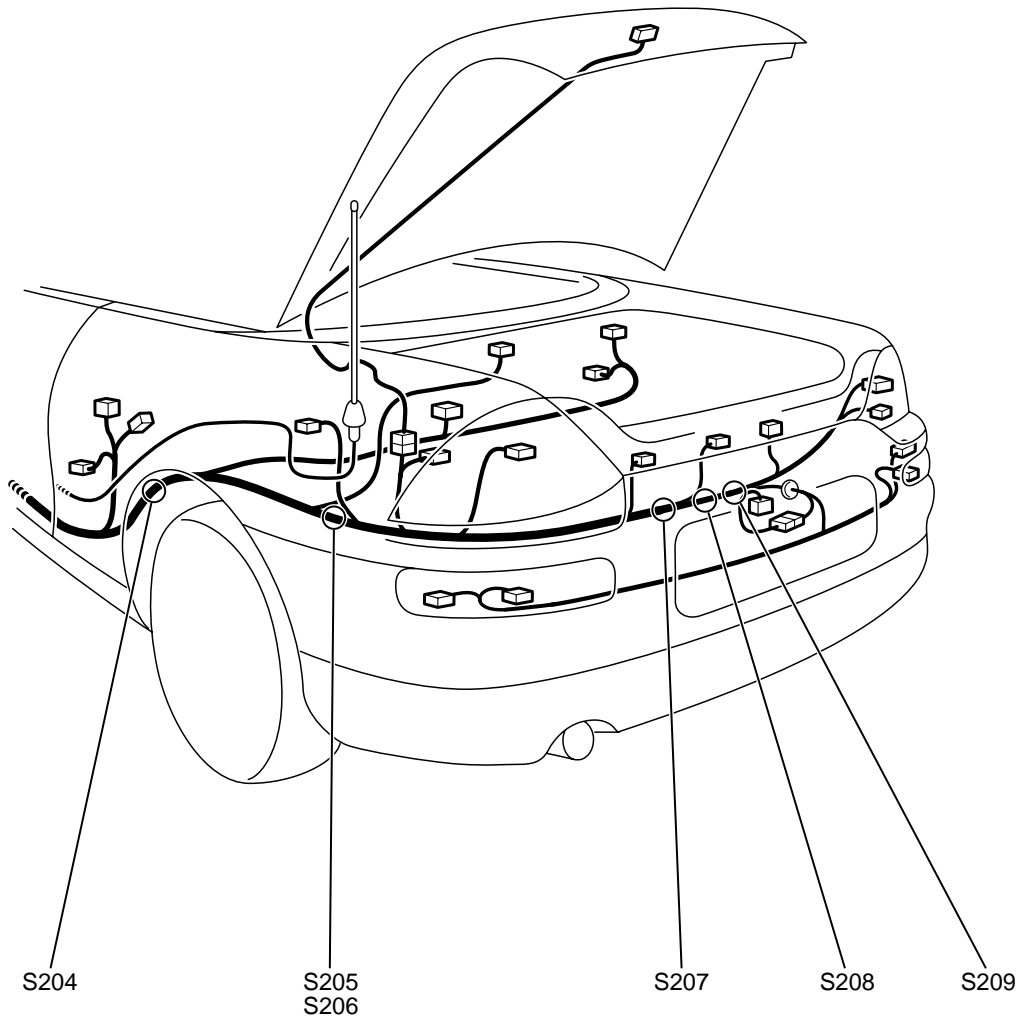
M1802000700111



AC106445AB

LUGGAGE COMPARTMENT <ECLIPSE SPYDER>

M1802000700122



AC106446AB