

GROUP 51

EXTERIOR

CONTENTS

GENERAL DESCRIPTION.....	51-2	WIPER AND WASHER.....	51-5
BUMPER	51-3	WINDSHIELD WIPER AND WASHER	51-5
RADIATOR GRILLE.....	51-4	REAR WIPER AND WASHER	51-6
AERO PARTS	51-4	DOOR MIRRORS	51-7

GENERAL DESCRIPTION

M2510000101283

Taking over Eclipse heritages;

- Advanced, aggressive styling with sophisticated surfacing
- Sporty 2 door coupe with liftgate utility
- Smooth, aerodynamic silhouette
- Dynamically wedged beltline with forward emphasis
- Sure-footed, aggressive stance with sleek front mask

FEATURES**BETTER APPEARANCE**

1. Radiator grille integrated front bumper
2. Side air dams
3. High-mounted stoplight integrated liftgate spoiler

BETTER AERODYNAMIC CHARACTERISTICS

4. Aerodynamic front bumper

5. Engine room under covers with air dam skirt panels
6. Aerodynamic rear bumper
7. High-mounted stoplight integrated liftgate spoiler

BETTER USER-FRIENDLINESS

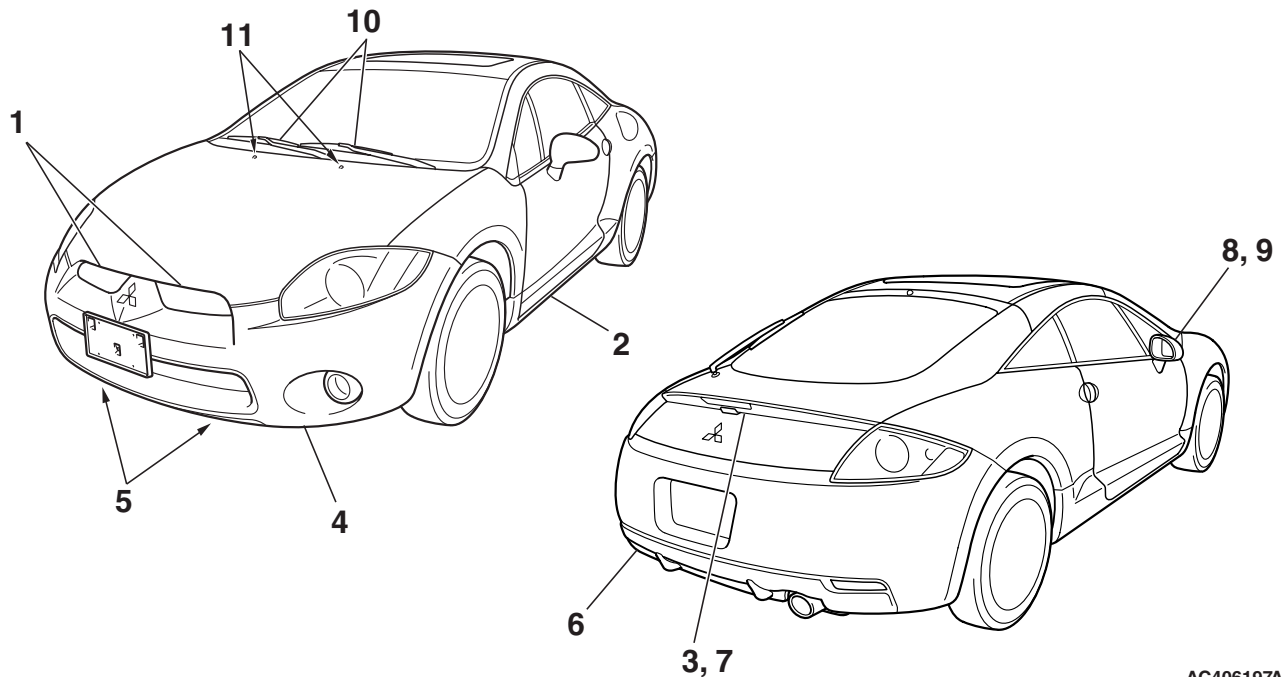
8. Electric remote-controlled door mirrors
9. Heated door mirrors (Vehicles for Canada)

BETTER PRODUCT PACKAGE

10. Vehicle speed sensitive intermittent time variable windshield wiper
11. Mist-type double spray nozzles

SUPPORT RECYCLING OF RESOURCES

Uses PP (polypropylene) materials that are easy to recycle and easy to stamp material symbols on the plastic (resin) parts.

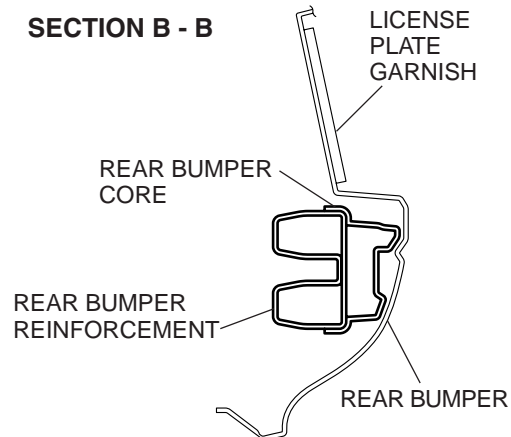
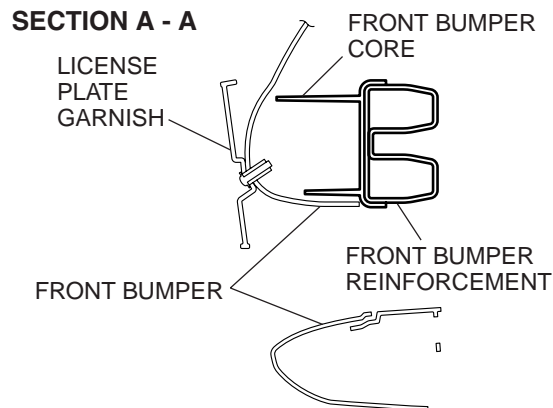
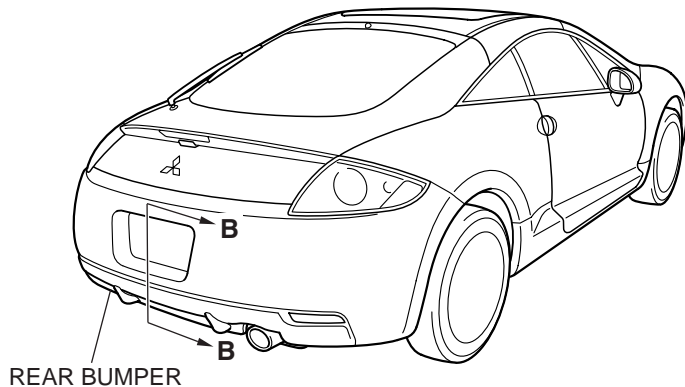
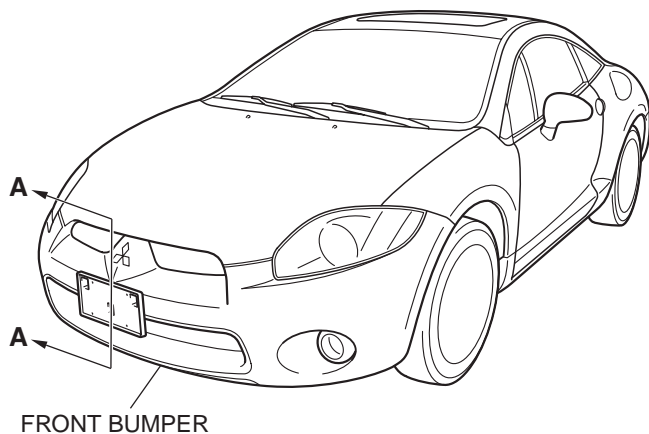


AC406197AB

BUMPER

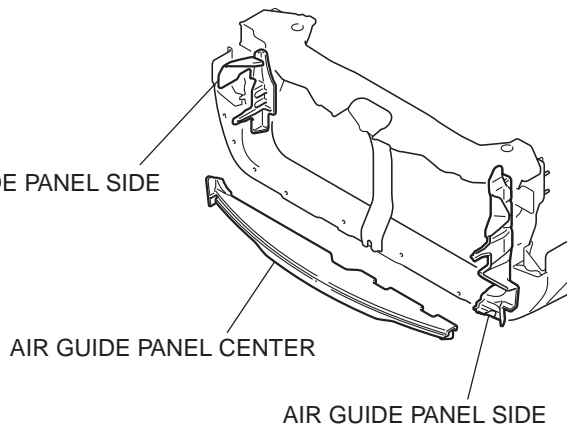
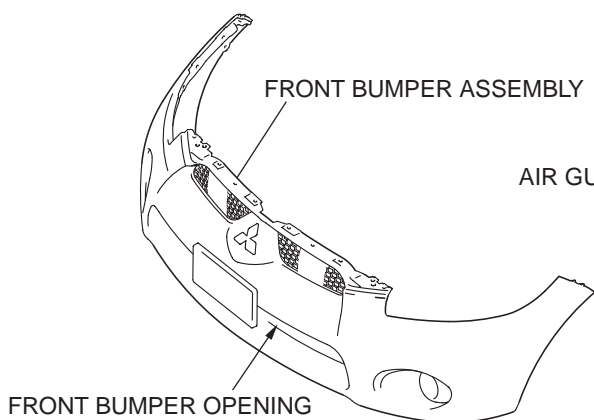
M2510002000535

CONSTRUCTION DIAGRAM



AC406198AB

- The front and rear bumpers incorporate highly rigid bumper reinforcements and bumper cores for excellent energy-absorption to reduce chassis deformation upon impact.
- With the bumper reinforcement and bumper core remaining on the body, the front/rear bumper can be removed as a unit.



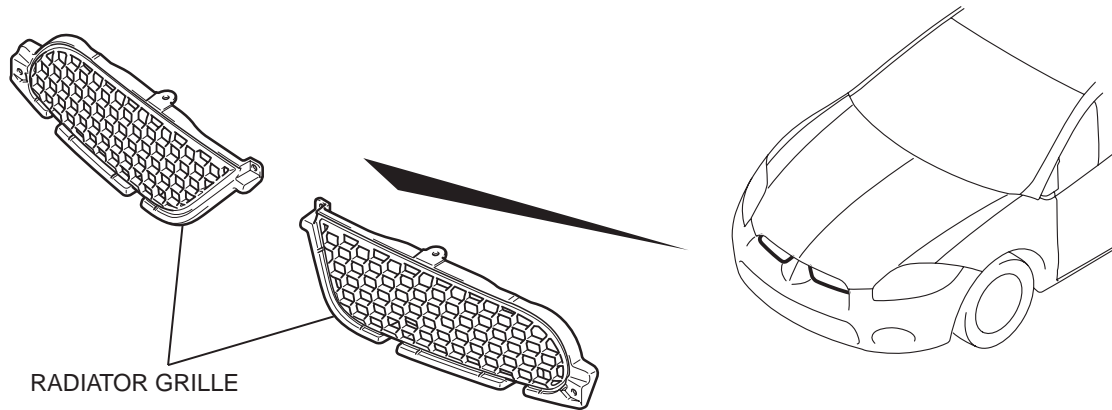
AC406884AB

The front bumper has an opening at center lower to guide air to the radiator. The air guide panels installed behind the front bumper smoothen the intake air and suppress vehicle dynamic lift. This also contributes to improve the cooling efficiency of the radiator.

RADIATOR GRILLE

M2510001000327

CONSTRUCTION DIAGRAM



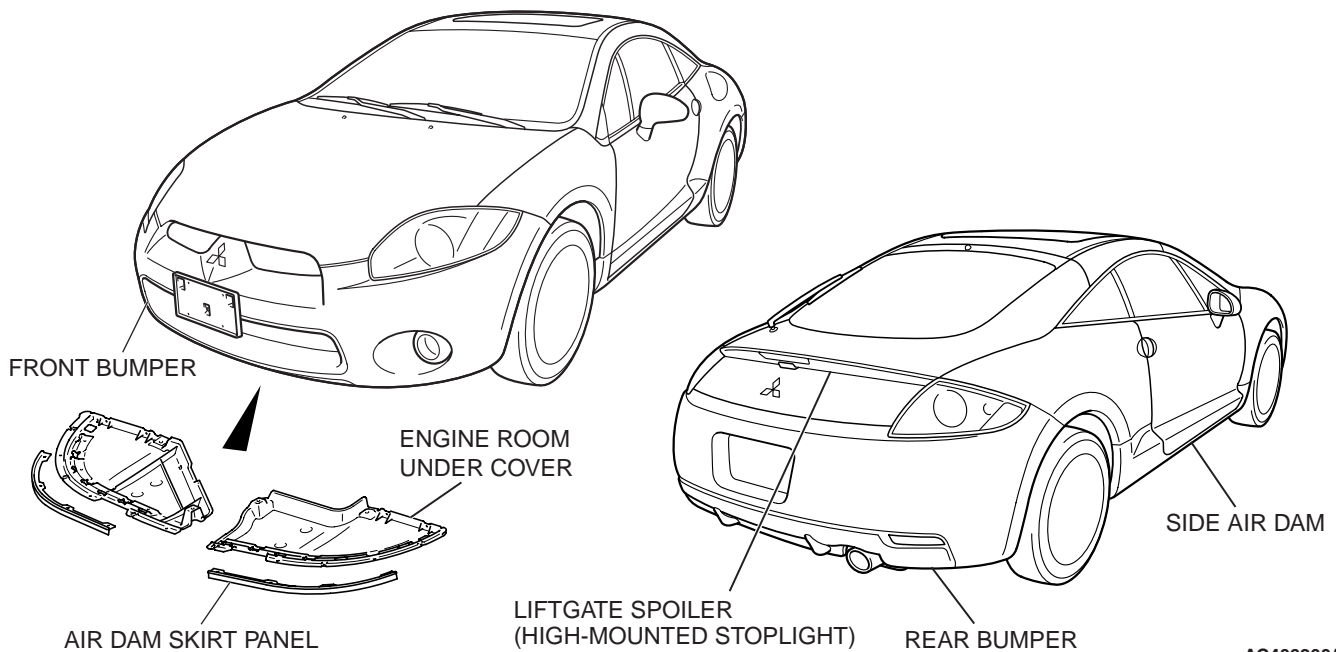
AC406799AB

- Radiator grilles are integrated with the front bumper.
- Mesh type radiator grilles give a sleek front mask and sporty image.

AERO PARTS

M2510003000301

CONSTRUCTION DIAGRAM



AC406200AB

The following aero parts provide better aerodynamic performance and an appealing look.

- Front bumper: Refer to Bumper [P.51-3](#)
- Engine room under covers: Smoothens the airflow coming to under the floor to decrease the air resistance.
- Air dam skirt panels: Diverts the airflow coming to under the bumper to induce negative pressure underneath the engine room under covers, increasing the down force to the front wheels.

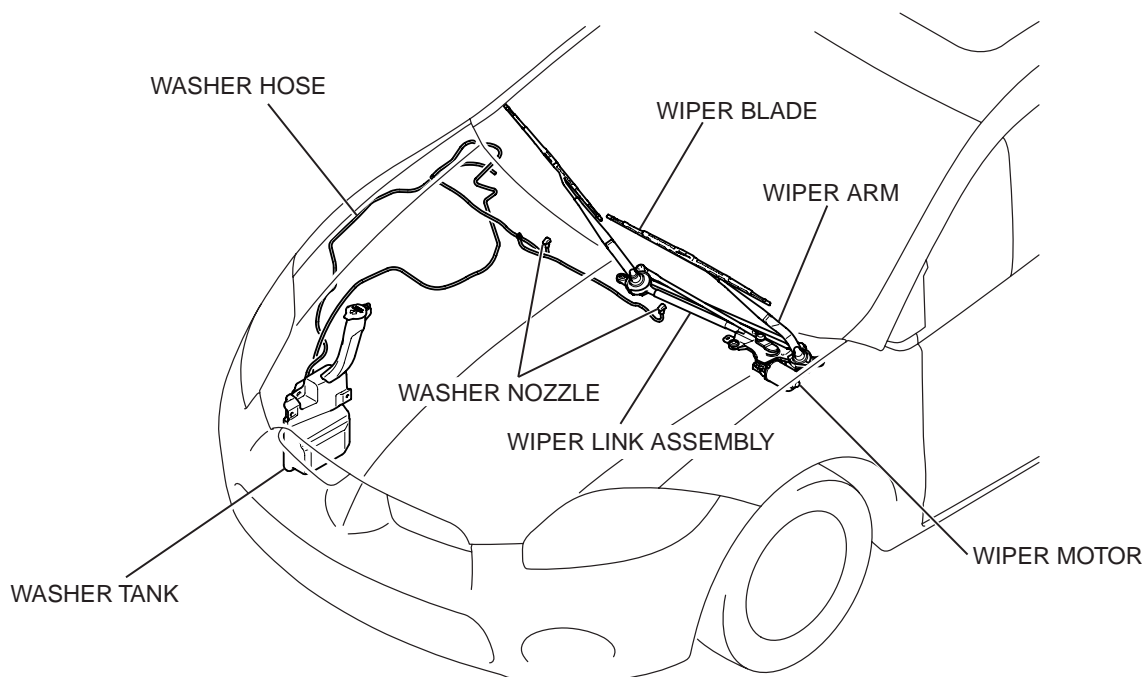
- Side air dams:
Smoothens the airflow under the floor and around the wheels to decrease the air resistance and lifting force.
- Rear bumper:
The lower edge of the bumper is set to the optimum height to decrease the air resistance and lifting force.
- Liftgate spoiler (high-mounted stoplight):
Separates the air vortex induced at the rear of the vehicle to smoothen the airflow, decreasing the air resistance. Also, increases the airflow pressure applied to the liftgate surface, increasing the down force to the rear wheels.

WIPER AND WASHER

WINDSHIELD WIPER AND WASHER

CONSTRUCTION DIAGRAM

M2510007000400



AC405703AB

WIPER LINK ASSEMBLY

Modular wiper link assembly with frame increases durability of the wiper link area, provides smoother and quieter wiper operations. It also provides good wiping performance at high-speed driving.

INTERMITTENT WIPER

The intermittent wiper features a vehicle speed sensitive intermittent time variable system.

MIST WIPER FUNCTION

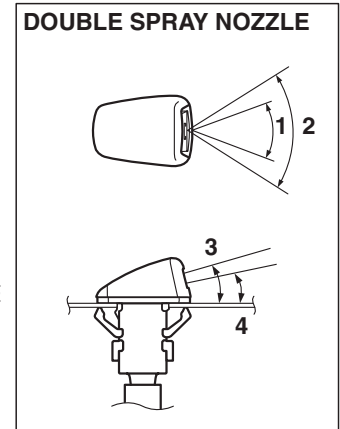
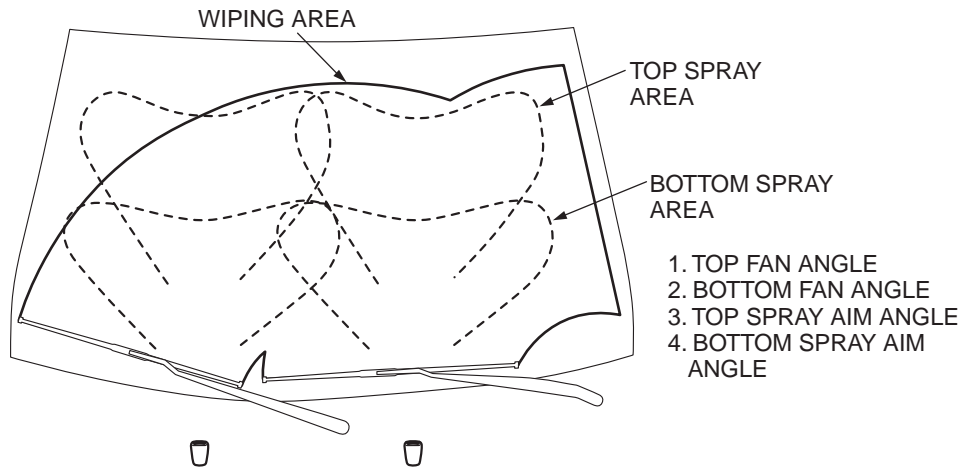
Features a mist wiper function that rigorously wipes away rain with high-speed wiping when the mist switch is ON, slows down when the mist switch is OFF and operates until stopped. When the mist switch is temporarily turned ON, the wiper wipes once at low-speed.

WASHER NOZZLE CHECK VALVE (MIST-TYPE)

Check valve integrated washer nozzle is employed. It prevents leakage of washer fluid from the nozzle in a sudden acceleration or hard turn, and improve the washer injection response when the washer switch is ON.

DESCRIPTION OF OPERATION

MIST-TYPE DOUBLE SPRAY NOZZLE



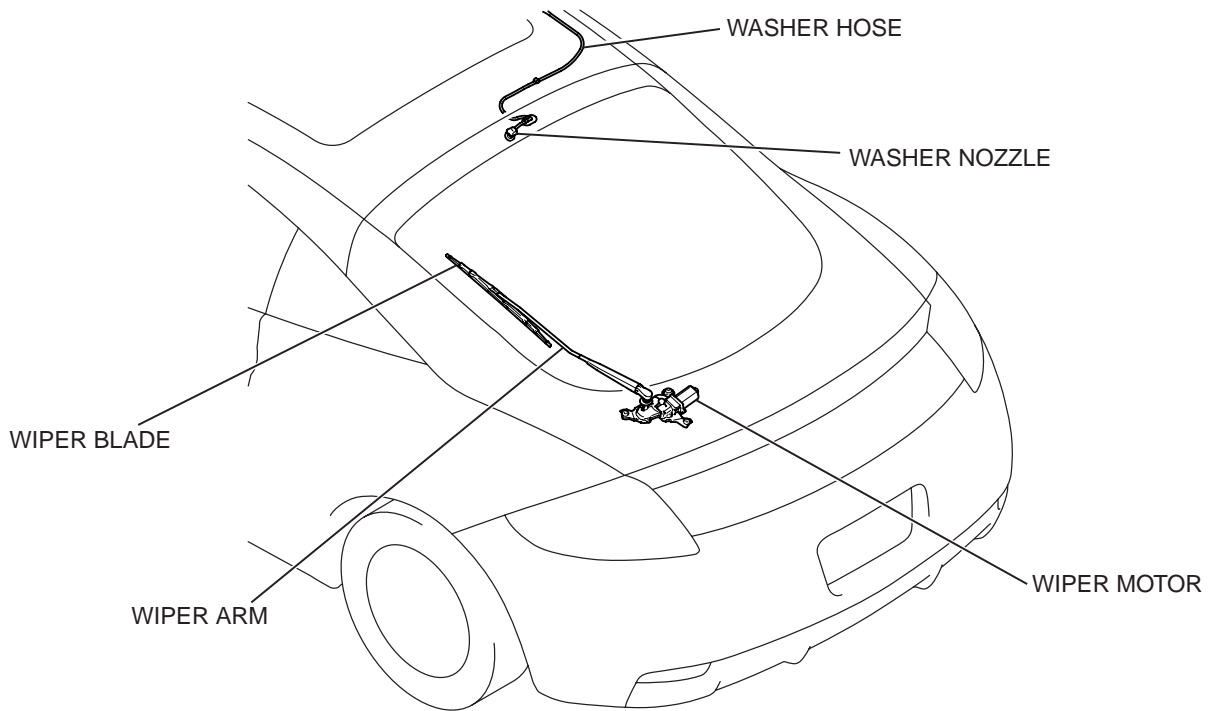
AC406579AB

An unadjustable double spray nozzle is used. The upper and lower washer injection ports of the nozzle spray mist-type washer fluid in a large area. In addition, the large wiping area of the wiper blade enables quick windshield cleaning to provide clear visibility.

REAR WIPER AND WASHER

M2510008000340

CONSTRUCTION DIAGRAM



AC406976AB

INTERMITTENT WIPER

When the rear wiper switch is turned ON, the wiper wipes 2 to 3 times at low-speed (initial continuous wiping). It is a time-fixed intermittent wiper for intermittent wiping operations.

INTERLOCKED OPERATIONS IN REVERSE

When the rear wiper switch is in the intermittent position and the selector lever (or gearshift lever) in reverse (R), the rear wiper continuously wipes 2 to 3 times at low-speed after about 1 second, and thereafter continues intermittent wiping with the reverse interlocked wiper function employed.

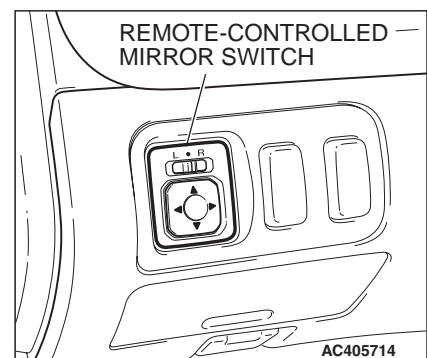
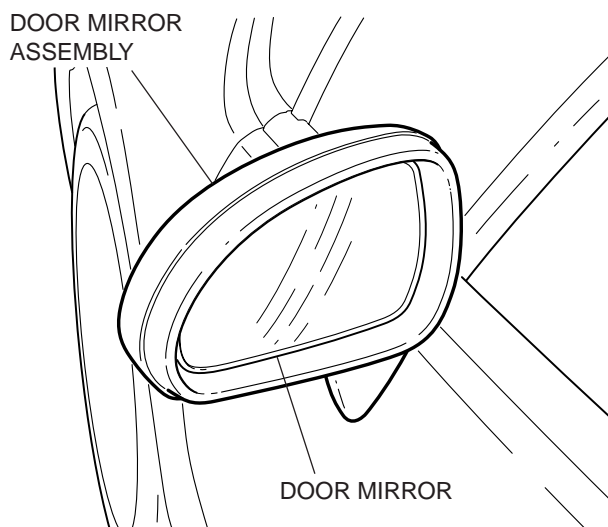
WASHER TANK

The washer tank is commonly shared with the windshield washer located in the engine compartment.

DOOR MIRRORS

M2510008100198

CONSTRUCTION DIAGRAM



AC405854AB

The outside mirror (door mirror) is a folded type and has the following characteristics.

- Aerodynamic door mirror shape reduces wind noises, and the door glasses and mirrors do not easily get wet while driving in a rainy day.
- Electric remote-controlled door mirrors
- Heated door mirror (works with the defogger)
<Vehicles for Canada>

NOTES