

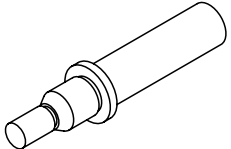
---

**GROUP 21C****CLUTCH  
OVERHAUL  
<F6MBA>****CONTENTS**

<b>SPECIAL TOOL</b> .....	<b>21C-2</b>	<b>SPECIFICATIONS</b> .....	<b>21C-5</b>
<b>CLUTCH</b> .....	<b>21C-2</b>	FASTENER TIGHTENING SPECIFICATIONS .....	21C-5
REMOVAL AND INSTALLATION .....	21C-2	GENERAL SPECIFICATIONS .....	21C-5
CLUTCH INSPECTION .....	21C-4	SERVICE SPECIFICATIONS .....	21C-5
		LUBRICANTS .....	21C-5

**SPECIAL TOOL**

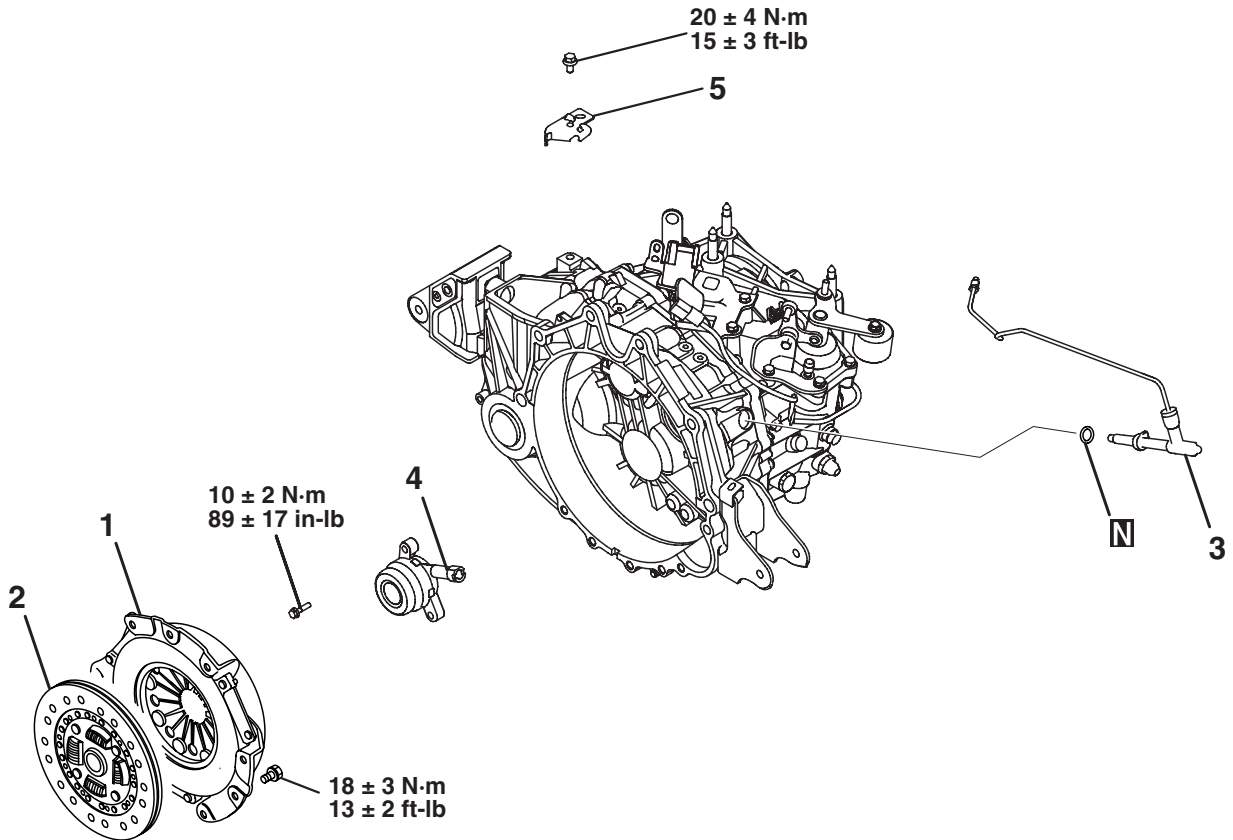
M121200600049

TOOL	TOOL NUMBER AND NAME	SUPERSESION	APPLICATION
	MB992059 Clutch disc center guide	-	Aligning clutch disc center hole

**CLUTCH**

**REMOVAL AND INSTALLATION**

M1212001000341



AK403731AB

**REMOVAL STEPS**

- 1. CLUTCH COVER
- 2. CLUTCH DISC
- >>A<< 3. CONCENTRIC SLAVE CYLINDER ADAPTER

**REMOVAL STEPS (Continued)**

- >>A<< 4. CONCENTRIC SLAVE CYLINDER
- 5. CLUTCH FLUID LINE BRACKET

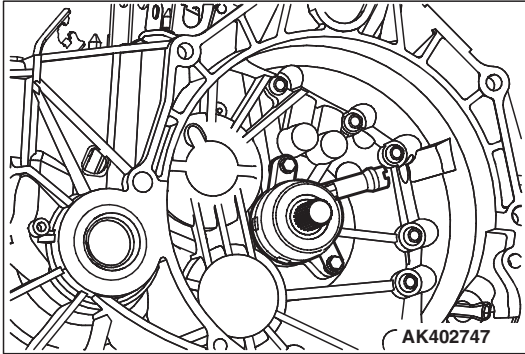
**Required Special Tools:**

- MB990699: Clutch disc center guide

**INSTALLATION SERVICE POINTS**

**>>A<< CLUTCH RELEASE CYLINDER ASSEMBLY INSTALLATION**

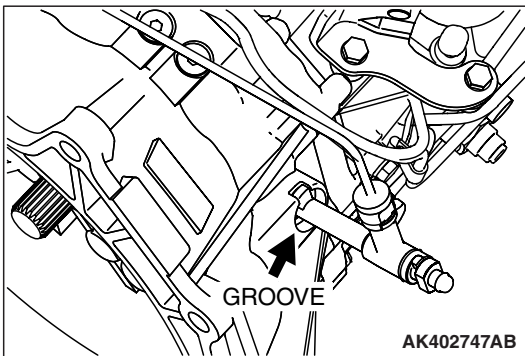
1. After setting the concentric slave cylinder to the transaxle case, tighten the flange bolt temporarily.



2. Combine the concentric slave cylinder adapter with the concentric slave cylinder.

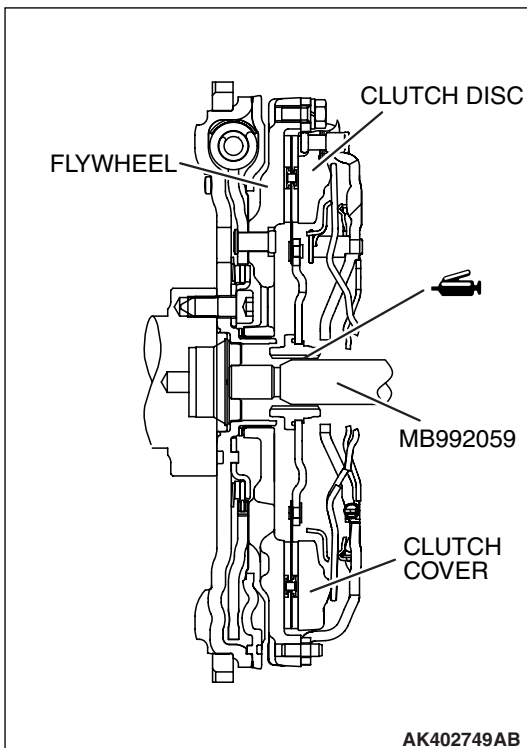
*NOTE: Fix to the groove of the transaxle case certainly.*

3. Tighten the flange bolt to the specified torque of  $10 \pm 2$  N·m ( $89 \pm 17$  in-lb).



**>>B<< CLUTCH DISC AND CLUTCH COVER INSTALLATION**

1. Apply Mitsubishi Part number 0101011 or equivalent to the clutch disc splines and rub it in the splines with a brush.
2. Using special tool MB992059 to position the clutch disc on the flywheel.
3. Install the clutch cover onto the flywheel.



## CLUTCH INSPECTION

M1212001100274

## CLUTCH COVER

1. Check the diaphragm spring end for wear and uneven height. Replace if wear is evident or height difference exceeds the limit.  
**Limit: 0.5 mm (0.020 inch)**
2. Check the pressure plate surface for wear, cracks and discoloration.
3. Check the rivets of the strap plate for looseness. If loose, replace the clutch cover.

## CLUTCH DISC

**⚠ CAUTION****Don't clean the clutch disc in a cleaning solvent.**

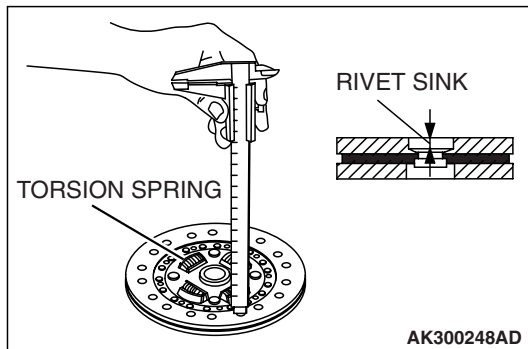
1. Check the facing for loose rivets, uneven contact, evidence of seizure, or deposited oils and greases. If defective, replace the clutch disc.

*NOTE: If contaminated with grease or oil, determine the source of the contaminant and repair it.*

2. Measure the rivet sink. Replace the clutch disc if it is below the limit.

**Minimum limit: 0.3 mm (0.012 inch)**

3. Check the torsion spring for play and damage. If defective, replace the clutch disc.
4. Place the clutch disc on the input shaft and check for sliding condition and play in the rotating direction. If poor sliding condition is evident, clean, reassemble, and recheck. If excessive play is evident, replace the clutch disc and/or input shaft.



## SPECIFICATIONS

### FASTENER TIGHTENING SPECIFICATIONS

M1212001800295

ITEM	SPECIFICATION
Clutch cover mounting bolt	18 ± 3 N· m (13 ± 2 ft-lb)
Concentric slave cylinder mounting bolt	10 ± 2 N· m (89 ± 17 in-lb)
Clutch fluid line bracket mounting bolt	20 ± 4 N· m (15 ± 3 ft-lb)

### GENERAL SPECIFICATIONS

M1212000200397

ITEM	SPECIFICATION
Clutch operating method	Hydraulic type
Clutch disc type	Single dry disc type
Clutch disc size OD x ID mm (in)	240 x 155 (9.45 x 6.10)
Clutch cover type	Diaphragm spring type
Clutch cover setting load N (lb)	9,700 ± 900 (2,181 ± 202)

### SERVICE SPECIFICATIONS

M1212000300264

ITEM	LIMIT
Diaphragm spring end height difference mm (in)	0.5 (0.020)
Clutch disc facing rivet sink mm (in)	Minimum 0.3 (0.012)

### LUBRICANTS

M1212000400283

ITEM	SPECIFIED LUBRICANT
Clutch disc splines	Mitsubishi Part number 0101011 or equivalent

---

## NOTES