

GROUP 80B

SPLICE LOCATIONS

CONTENTS

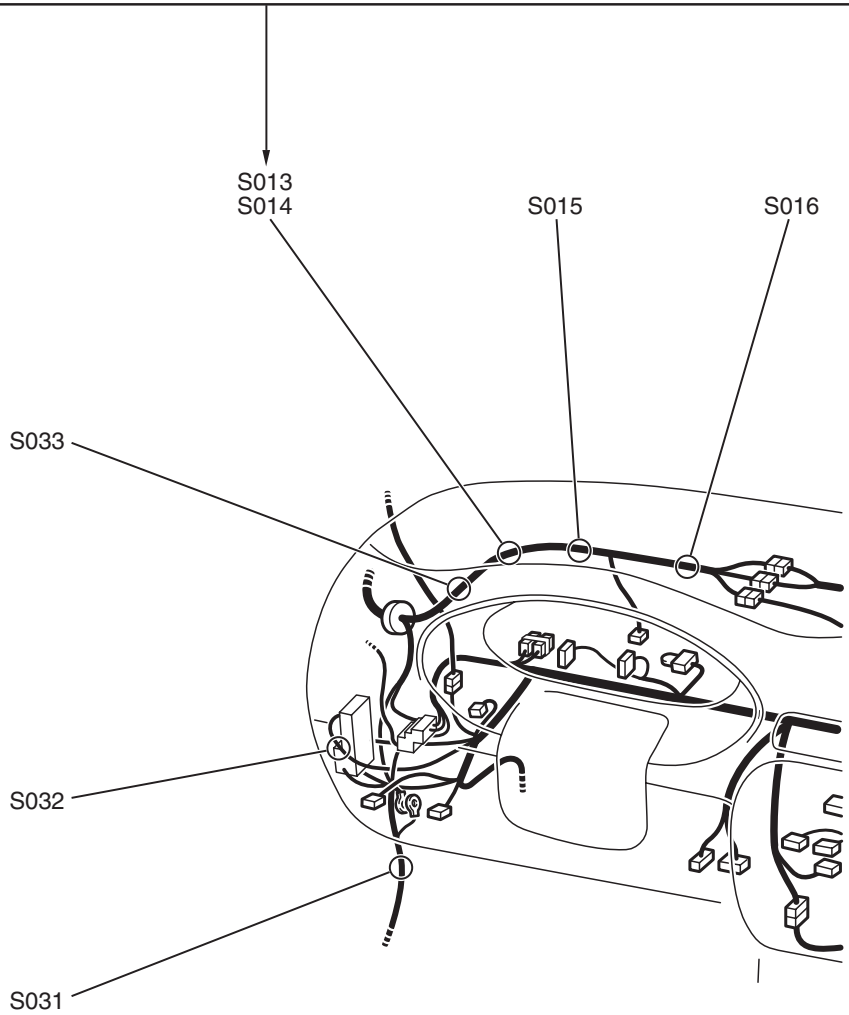
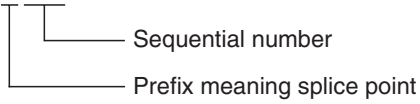
| | | | |
|------------------------------------------|-------|------------------------------------------|-------|
| HOW TO READ SPLICE LOCATIONS..... | 80B-2 | ENGINE AND TRANSAXLE <3.8L ENGINE> | 80B-5 |
| INDEX..... | 80B-3 | DASH PANEL..... | 80B-6 |
| ENGINE COMPARTMENT..... | 80B-4 | FLOOR AND ROOF | 80B-7 |
| ENGINE AND TRANSAXLE <2.4L ENGINE> | 80B-5 | DOOR | 80B-7 |
| | | LUGGAGE COMPARTMENT..... | 80B-8 |

HOW TO READ SPLICE LOCATIONS

"Splice locations" describes splice points of each wiring harness on an actual vehicle. Some variations are included in one splice location. Accordingly, some locations may not be applicable for individual vehicles.

Indicates a splice point number.
The splice point numbers are identical to those in "CIRCUIT DIAGRAMS," making them easy to use.
In addition, the splice point numbers are usually numbered clockwise.

Example: S 013



INDEX

M1802000901088

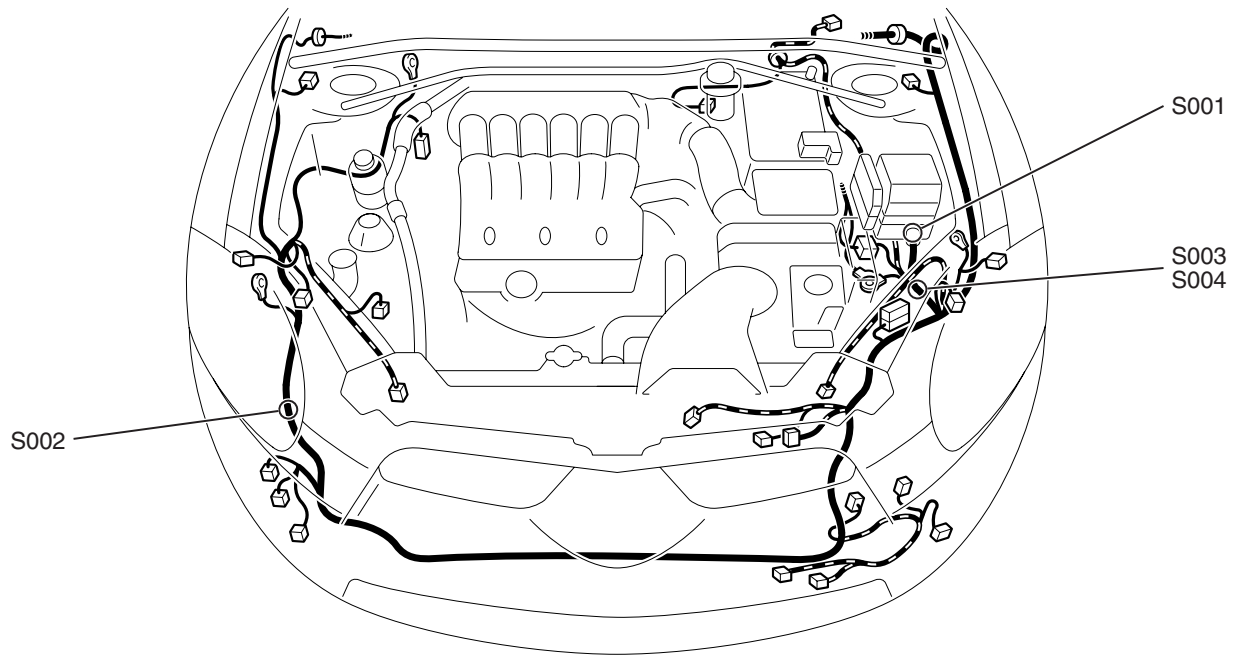
This index shows the page numbers where the splice locations are.

| SPLICE LOCATION NO. | PAGE | SPLICE LOCATION NO. | PAGE | SPLICE LOCATION NO. | PAGE | SPLICE LOCATION NO. | PAGE |
|----------------------------|-------------|----------------------------|-------------|----------------------------|-------------|----------------------------|-------------|
| S001 | P.80B-4 | S035 | P.80B-5 | S069 | P.80B-6 | S103 | P.80B-6 |
| S002 | P.80B-4 | S036 | P.80B-5 | S070 | P.80B-6 | S104 | P.80B-6 |
| S003 | P.80B-4 | S037 | P.80B-5 | S071 | P.80B-6 | S105 | P.80B-6 |
| S004 | P.80B-4 | S038 | P.80B-5 | S072 | P.80B-6 | S106 | P.80B-7 |
| S005 | P.80B-5 | S039 | P.80B-5 | S073 | P.80B-6 | S107 | P.80B-7 |
| S006 | P.80B-5 | S040 | P.80B-5 | S074 | P.80B-6 | S108 | P.80B-7 |
| S007 | P.80B-5 | S041 | P.80B-5 | S075 | P.80B-6 | S109 | P.80B-7 |
| S008 | P.80B-5 | S042 | P.80B-5 | S076 | P.80B-6 | S110 | P.80B-7 |
| S009 | P.80B-5 | S043 | P.80B-5 | S077 | P.80B-6 | S111 | P.80B-7 |
| S010 | P.80B-5 | S044 | P.80B-5 | S078 | P.80B-6 | S112 | P.80B-7 |
| S011 | P.80B-5 | S045 | P.80B-5 | S079 | P.80B-6 | S113 | P.80B-7 |
| S012 | P.80B-5 | S046 | P.80B-5 | S080 | P.80B-6 | S114 | P.80B-7 |
| S013 | P.80B-5 | S047 | P.80B-5 | S081 | P.80B-6 | S115 | P.80B-7 |
| S014 | P.80B-5 | S048 | P.80B-5 | S082 | P.80B-6 | S116 | P.80B-7 |
| S015 | P.80B-5 | S049 | P.80B-5 | S083 | P.80B-6 | S117 | P.80B-7 |
| S016 | P.80B-5 | S050 | P.80B-6 | S084 | P.80B-6 | S118 | P.80B-7 |
| S017 | P.80B-5 | S051 | P.80B-6 | S085 | P.80B-6 | S119 | P.80B-7 |
| S018 | P.80B-5 | S052 | P.80B-6 | S086 | P.80B-6 | S120 | P.80B-7 |
| S019 | P.80B-5 | S053 | P.80B-6 | S087 | P.80B-6 | S121 | P.80B-7 |
| S020 | P.80B-5 | S054 | P.80B-6 | S088 | P.80B-6 | S122 | P.80B-7 |
| S021 | P.80B-5 | S055 | P.80B-6 | S089 | P.80B-6 | S123 | P.80B-7 |
| S022 | P.80B-5 | S056 | P.80B-6 | S090 | P.80B-6 | S124 | P.80B-7 |
| S023 | P.80B-5 | S057 | P.80B-6 | S091 | P.80B-6 | S125 | P.80B-7 |
| S024 | P.80B-5 | S058 | P.80B-6 | S092 | P.80B-6 | S126 | P.80B-7 |
| S025 | P.80B-5 | S059 | P.80B-6 | S093 | P.80B-6 | S127 | P.80B-7 |
| S026 | P.80B-5 | S060 | P.80B-6 | S094 | P.80B-6 | S128 | P.80B-7 |
| S027 | P.80B-5 | S061 | P.80B-6 | S095 | P.80B-6 | S129 | P.80B-7 |
| S028 | P.80B-5 | S062 | P.80B-6 | S096 | P.80B-6 | S130 | P.80B-7 |
| S029 | P.80B-5 | S063 | P.80B-6 | S097 | P.80B-6 | S131 | P.80B-7 |
| S030 | P.80B-5 | S064 | P.80B-6 | S098 | P.80B-6 | S132 | P.80B-7 |
| S031 | P.80B-5 | S065 | P.80B-6 | S099 | P.80B-6 | S133 | P.80B-7 |

| SPLICE LOCATION NO. | PAGE | SPLICE LOCATION NO. | PAGE | SPLICE LOCATION NO. | PAGE | SPLICE LOCATION NO. | PAGE |
|---------------------|---------|---------------------|---------|---------------------|---------|---------------------|---------|
| S032 | P.80B-5 | S066 | P.80B-6 | S100 | P.80B-6 | S134 | P.80B-7 |
| S033 | P.80B-5 | S067 | P.80B-6 | S101 | P.80B-6 | S135 | P.80B-8 |
| S034 | P.80B-5 | S068 | P.80B-6 | S102 | P.80B-6 | S136 | P.80B-8 |

ENGINE COMPARTMENT

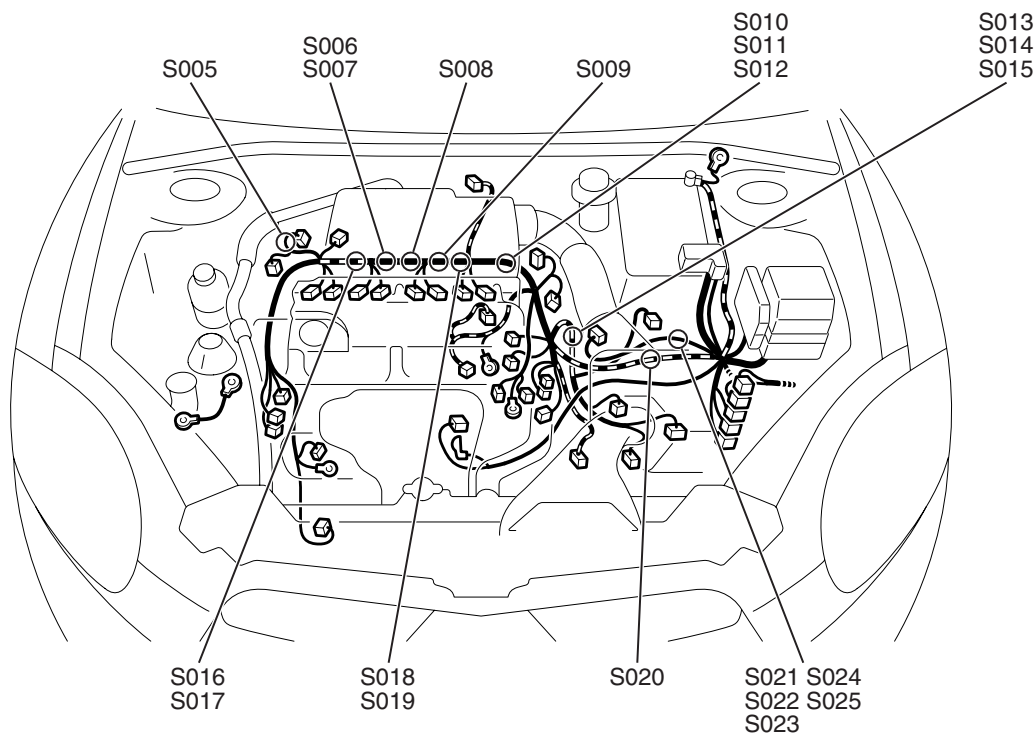
M1802000200741



AC406902AC

ENGINE AND TRANSAXLE <2.4L ENGINE>

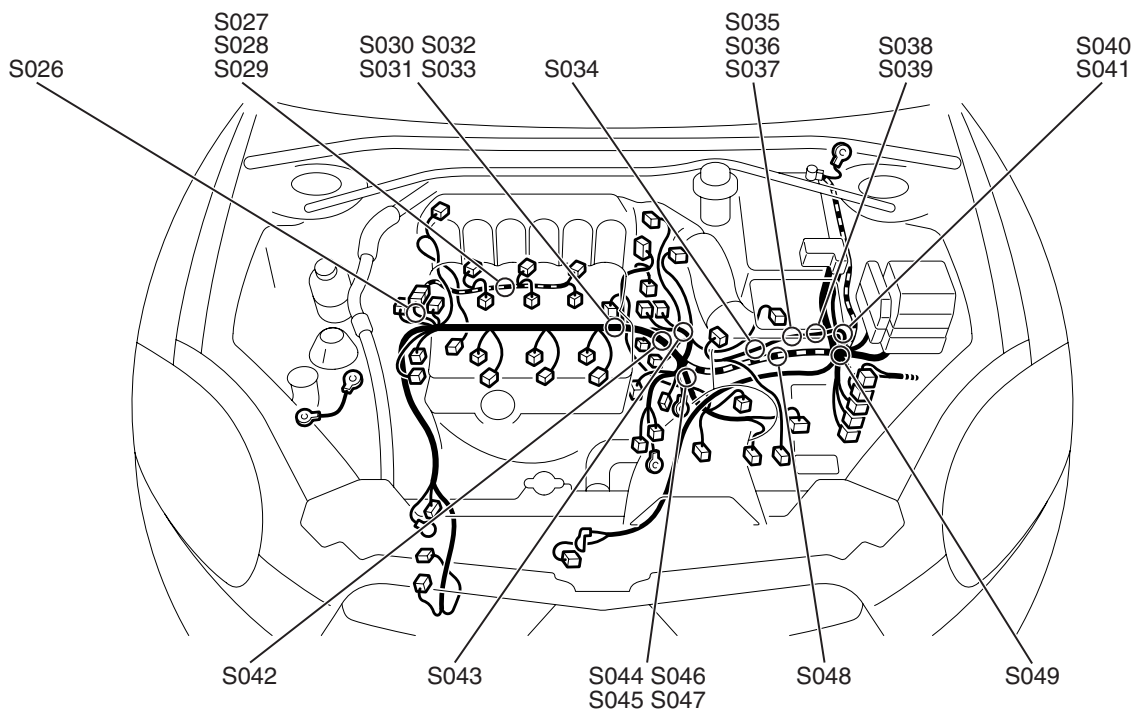
M1802001400618



AC406903AB

ENGINE AND TRANSAXLE <3.8L ENGINE>

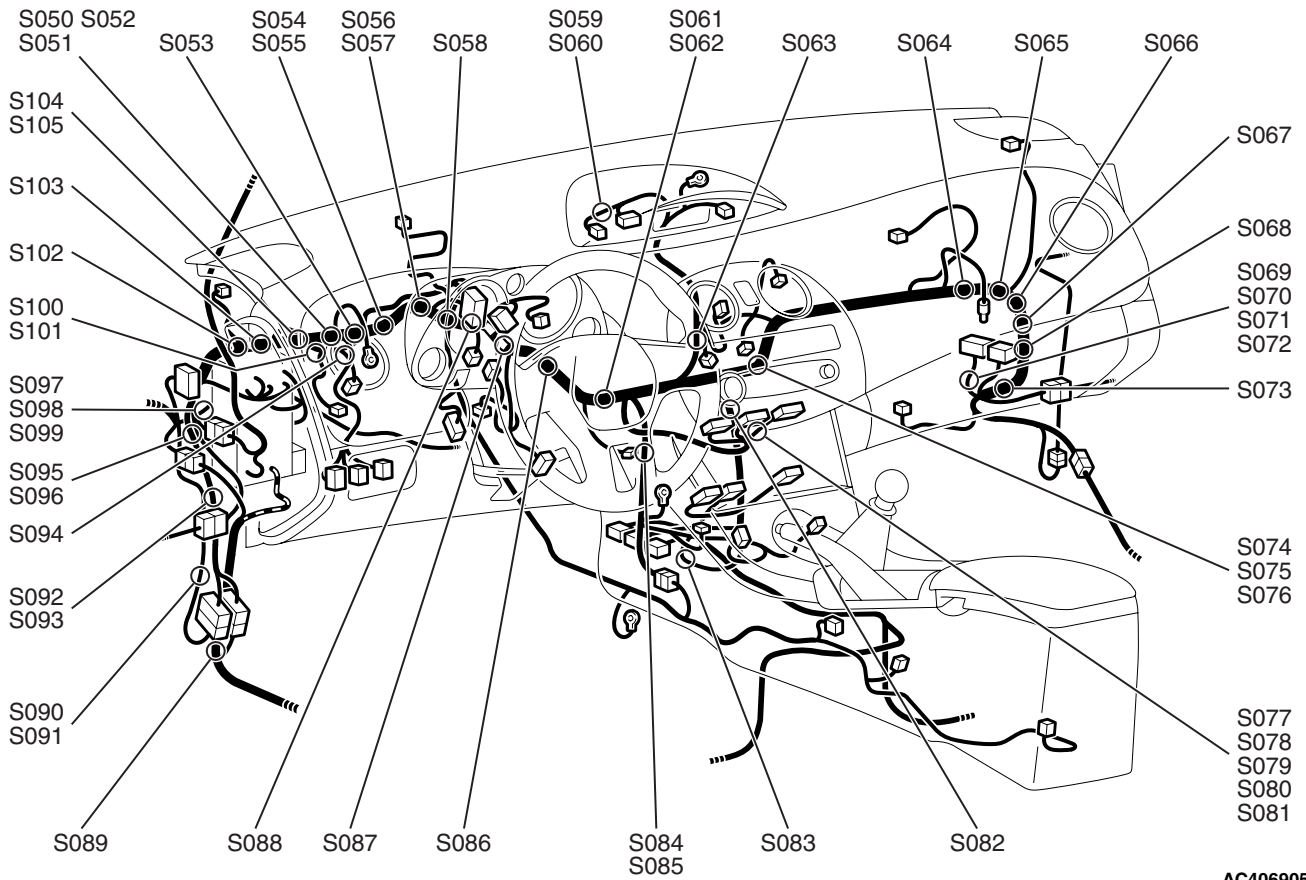
M1802001400629



AC406904AB

DASH PANEL

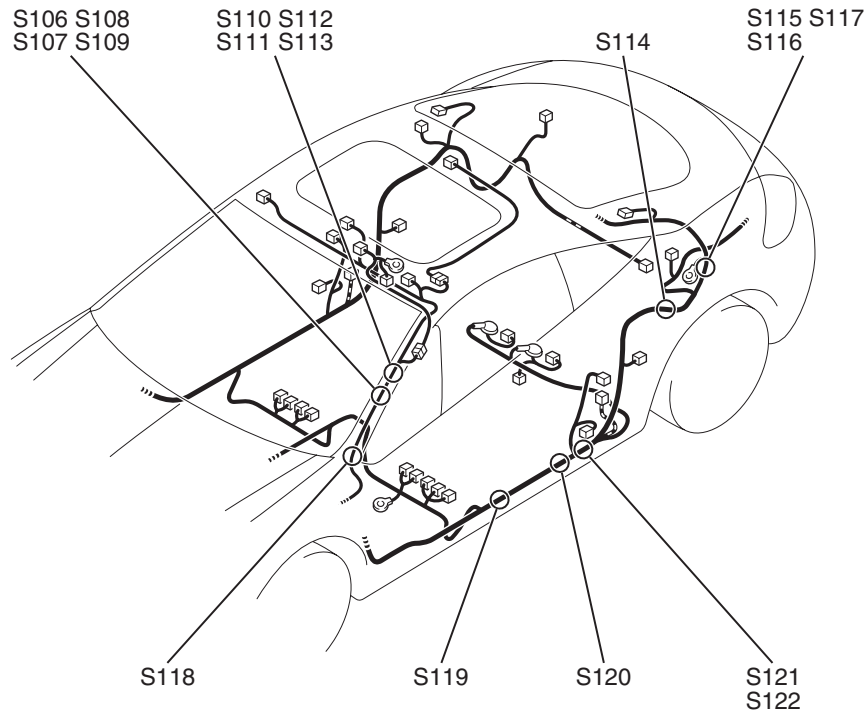
M1802000300931



AC406905AB

FLOOR AND ROOF

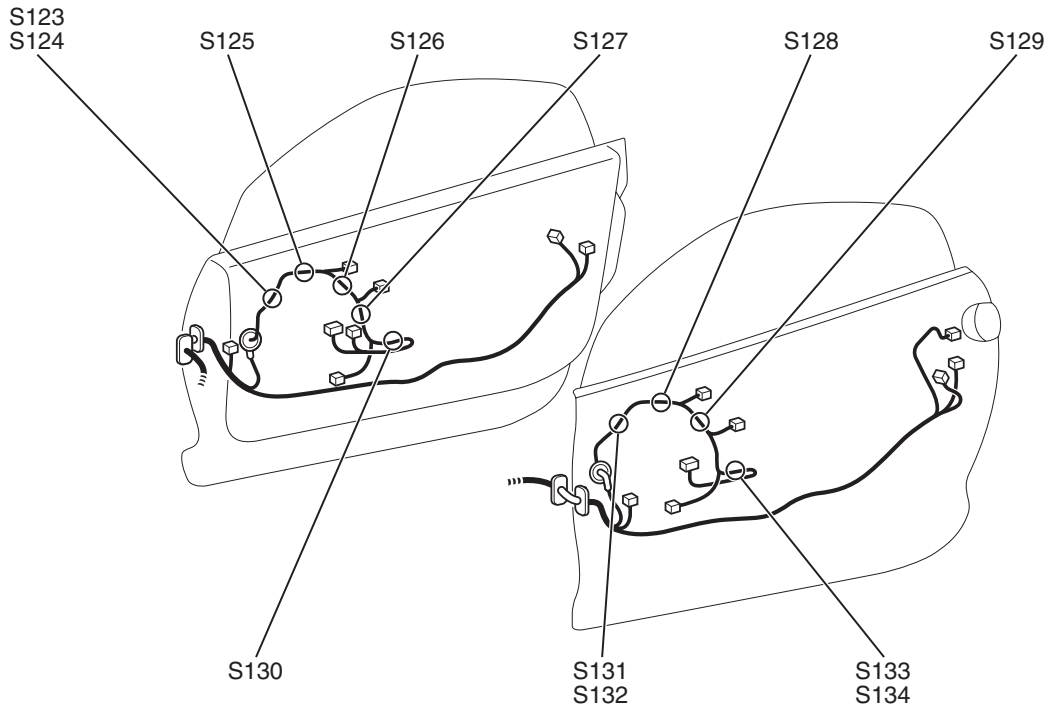
M1802001200700



AC406908AB

DOOR

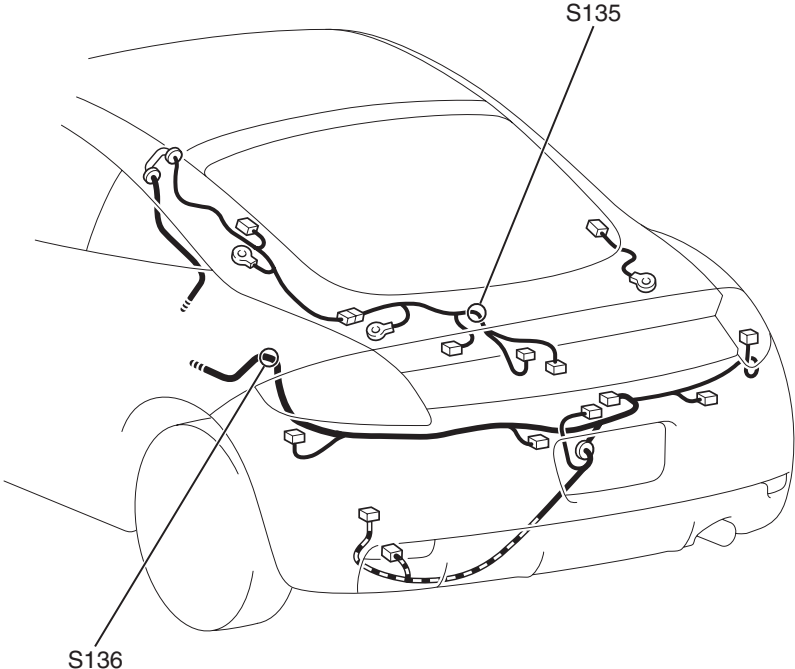
M1802000800624



AC406909AB

LUGGAGE COMPARTMENT

M1802000700188



AC406910AB