

GROUP 2

BODY DIMENSIONS

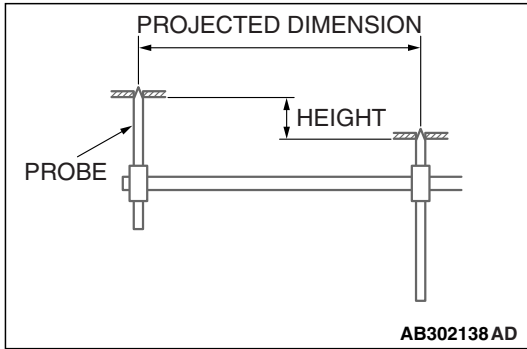
CONTENTS

BODY DIMENSIONS AND MEASUREMENT METHODS.....	2-3	TYPE B (ACTUAL-MEASUREMENT DIMENSIONS).....	2-8
TYPE A (PROJECTED DIMENSIONS)		UNDER BODY.....	2-8
.....	2-4	SUSPENSION INSTALLATION DIMENSIONS	2-10
UNDER BODY	2-4	FRONT BODY.....	2-12
SUSPENSION INSTALLATION DIMENSIONS	2-6	SIDE BODY	2-14
		REAR BODY	2-15
		INTERIOR	2-16

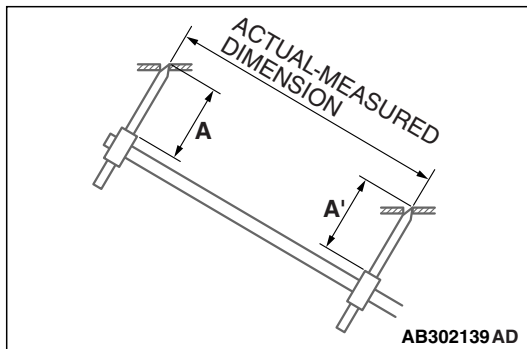
NOTES

BODY DIMENSIONS AND MEASUREMENT METHODS

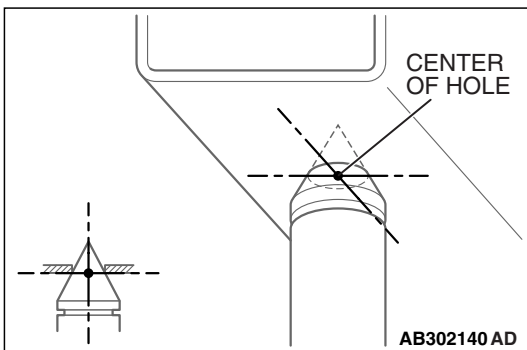
M4020001000288



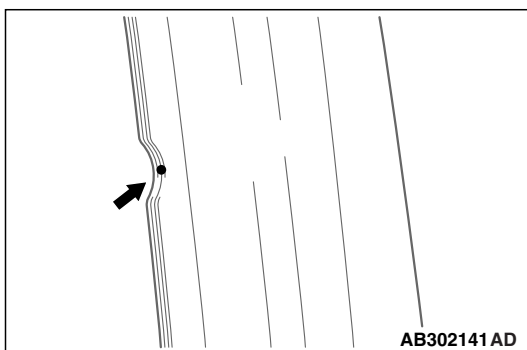
- Type A (projected dimensions) is the dimension when a measurement location is projected onto the plane.
NOTE: The height indicates a distance from the assumed standard line established 100 mm below the lowest measurement point.



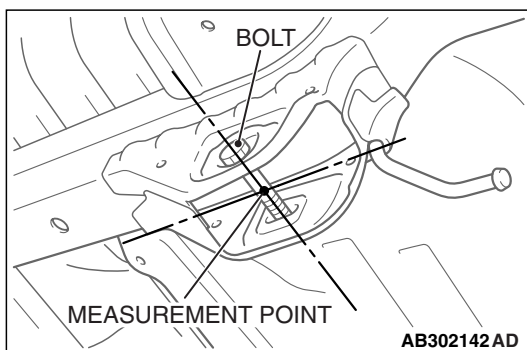
- Type B (actual-measurement dimensions) is the actual distance between the measurement points. Measure using a tracking gauge or a measuring tape, etc.
NOTE:
 - Make the lengths of the tracking gauge probes the same ($A=A'$).
 - Do not bend or twist the measuring tape.



- Insert the tracking gauge probes securely into the measurement holes.
- When the standard dimensions in the illustration are enclosed by rectangle, this indicates that the symmetrical left and right positions have the same dimensions.



- When using a notch for dimension measurement, set the measuring point at the center of the notch.

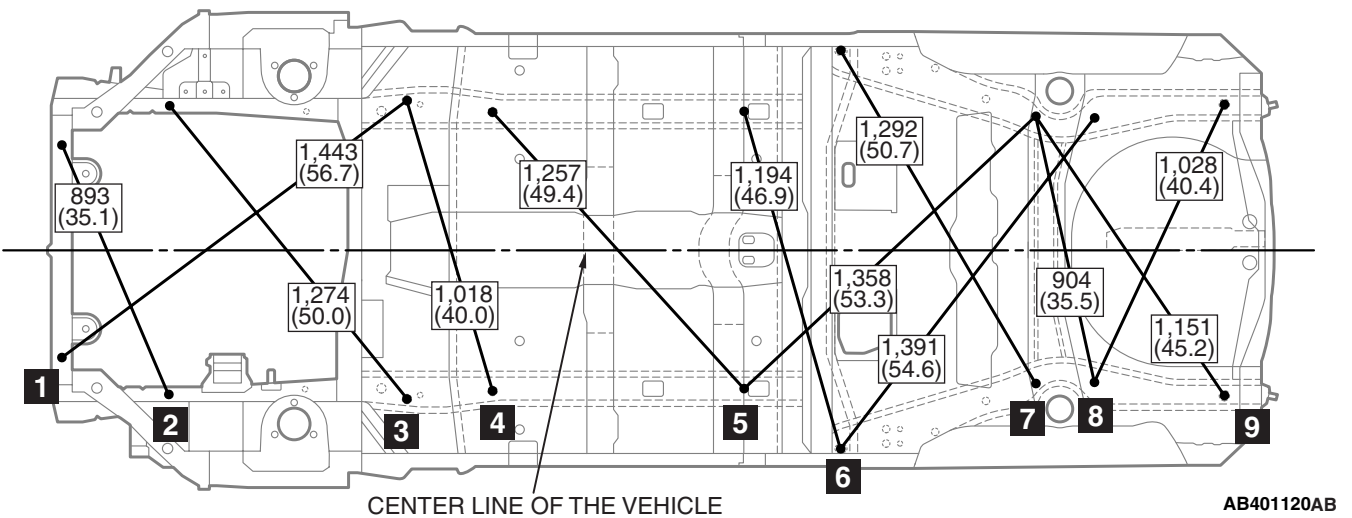
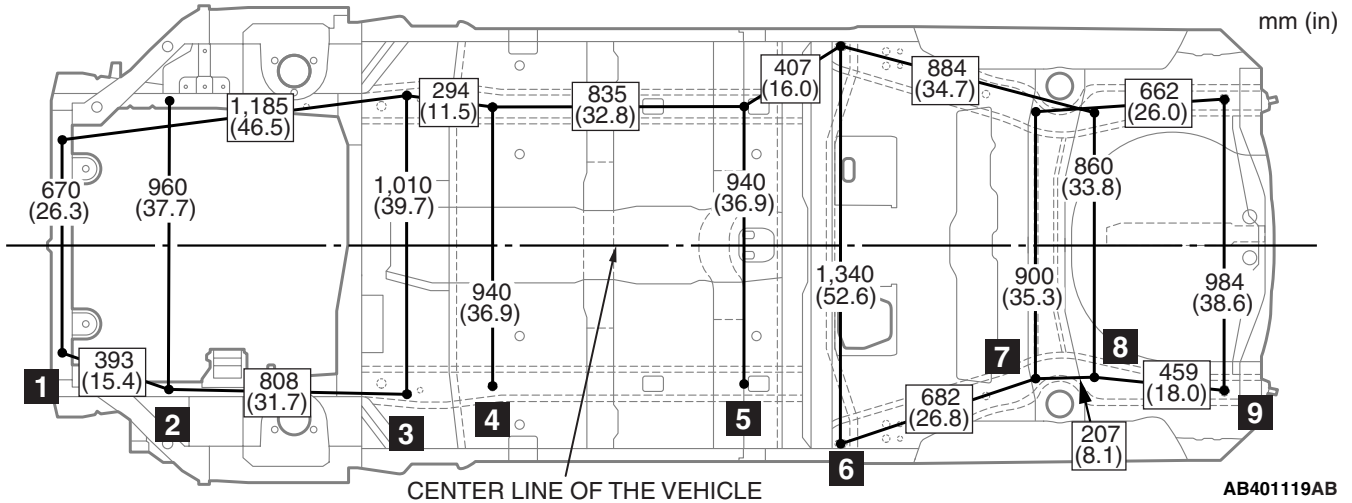


- When measuring the suspension mounting arm, or link mounting position, use the suspension mounting bolt, etc. (Type B only)
- The body center points are shown for the purpose of checking the position of the left and right symmetry location.

TYPE A (PROJECTED DIMENSIONS)

UNDER BODY

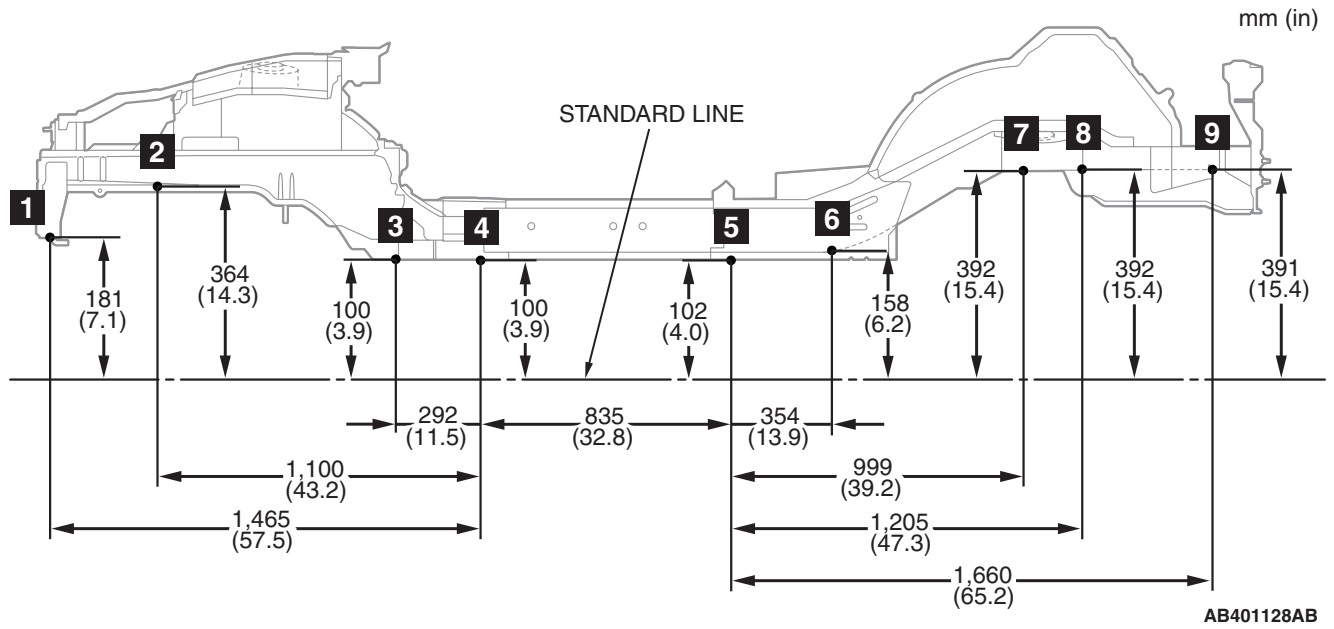
M4020005001108



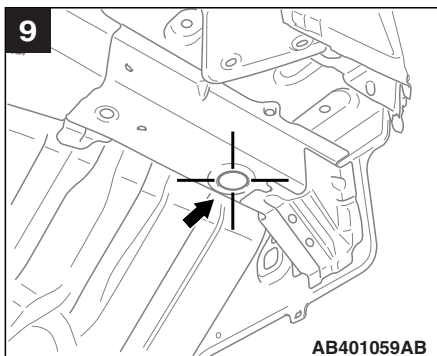
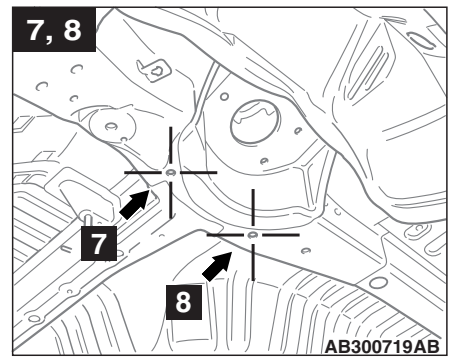
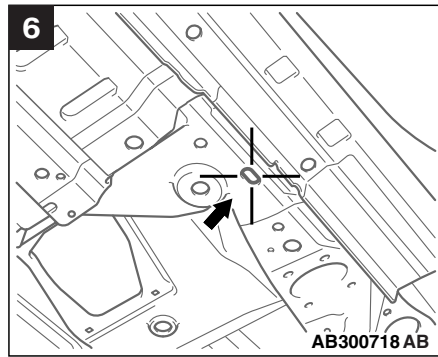
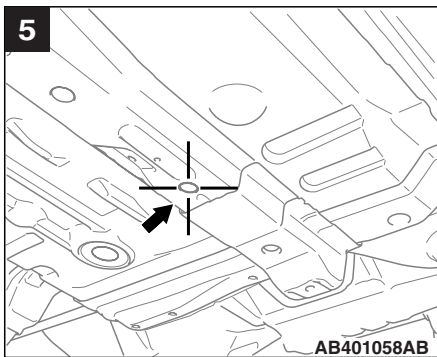
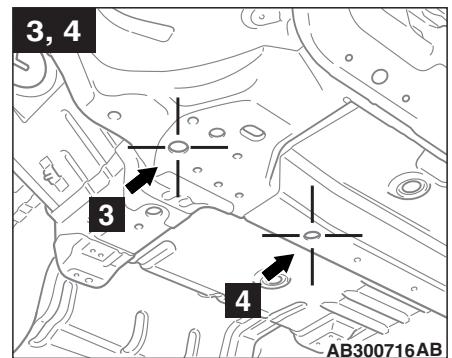
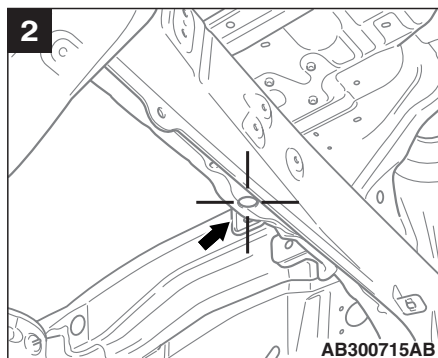
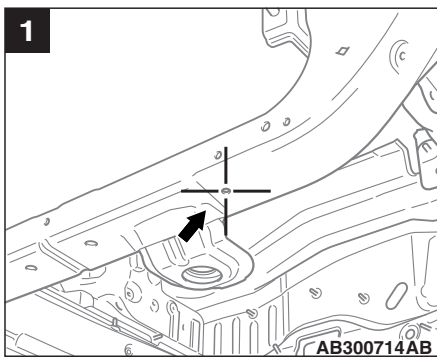
NO.	STANDARD MEASUREMENT POINT	HOLE SHAPE	SIZE mm (in)
1*	Center of front bumper mounting hole	Round	8 (0.3)
2*	Center of front sidemember inner positioning hole	Round	25 (1.0)
3*	Center of front sidemember lower brace positioning hole	Round	25 (1.0)
4*	Center of front sidemember rear B positioning hole	Round	25 (1.0)
5*	Center of front floor sidemember positioning hole	Round	15 (0.6)
6*	Center of tie down mounting hole	Oblong	21.6×37.5 (0.8×1.5)
7*	Center of rear floor sidemember water draining hole	Round	16 (0.6)
8*	Center of rear floor sidemember water draining hole	Round	16 (0.6)
9*	Center of rear floor sidemember extension positioning hole	Round	35 (1.4)

NOTE: The * mark indicates the mounting position for the frame centering gauge.

**BODY DIMENSIONS
TYPE A (PROJECTED DIMENSIONS)**

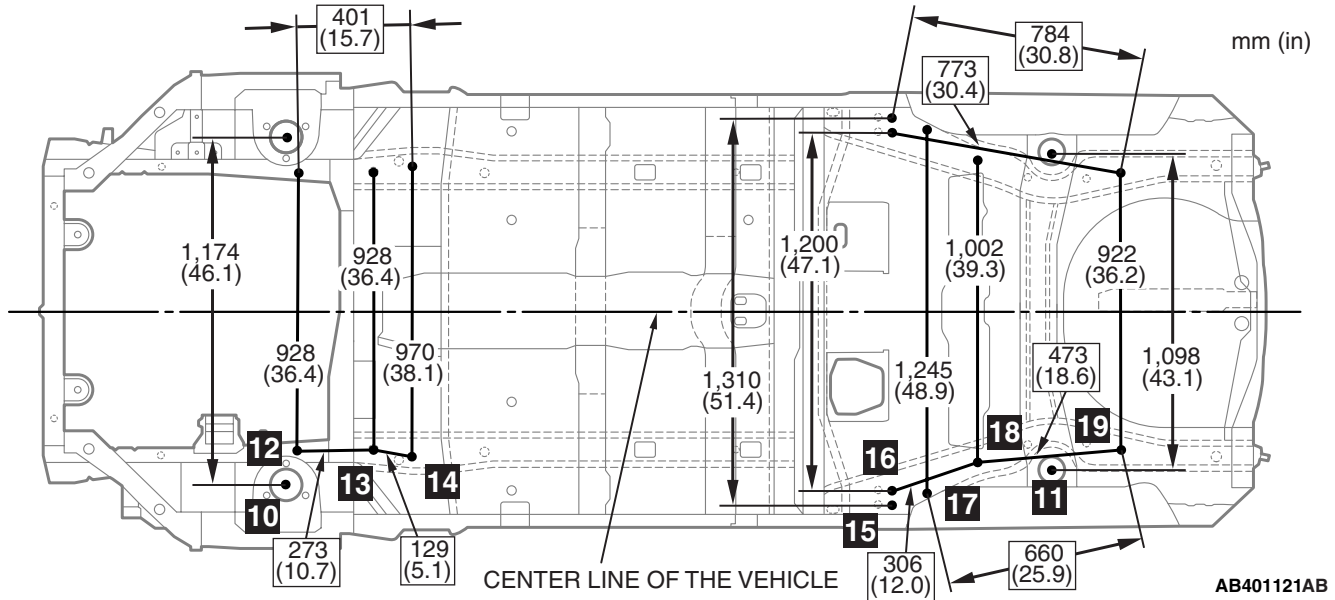


NOTE: The assumed standard line is established 100 mm (3.9 inches) below the measurement point No.4.

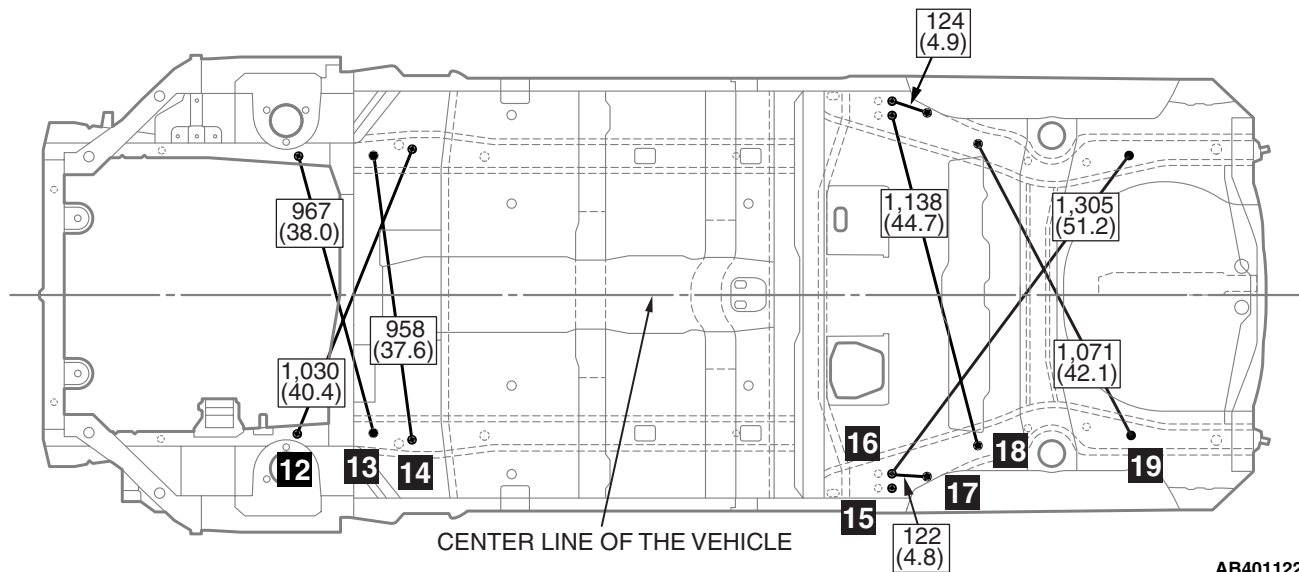


SUSPENSION INSTALLATION DIMENSIONS

M4020013000757



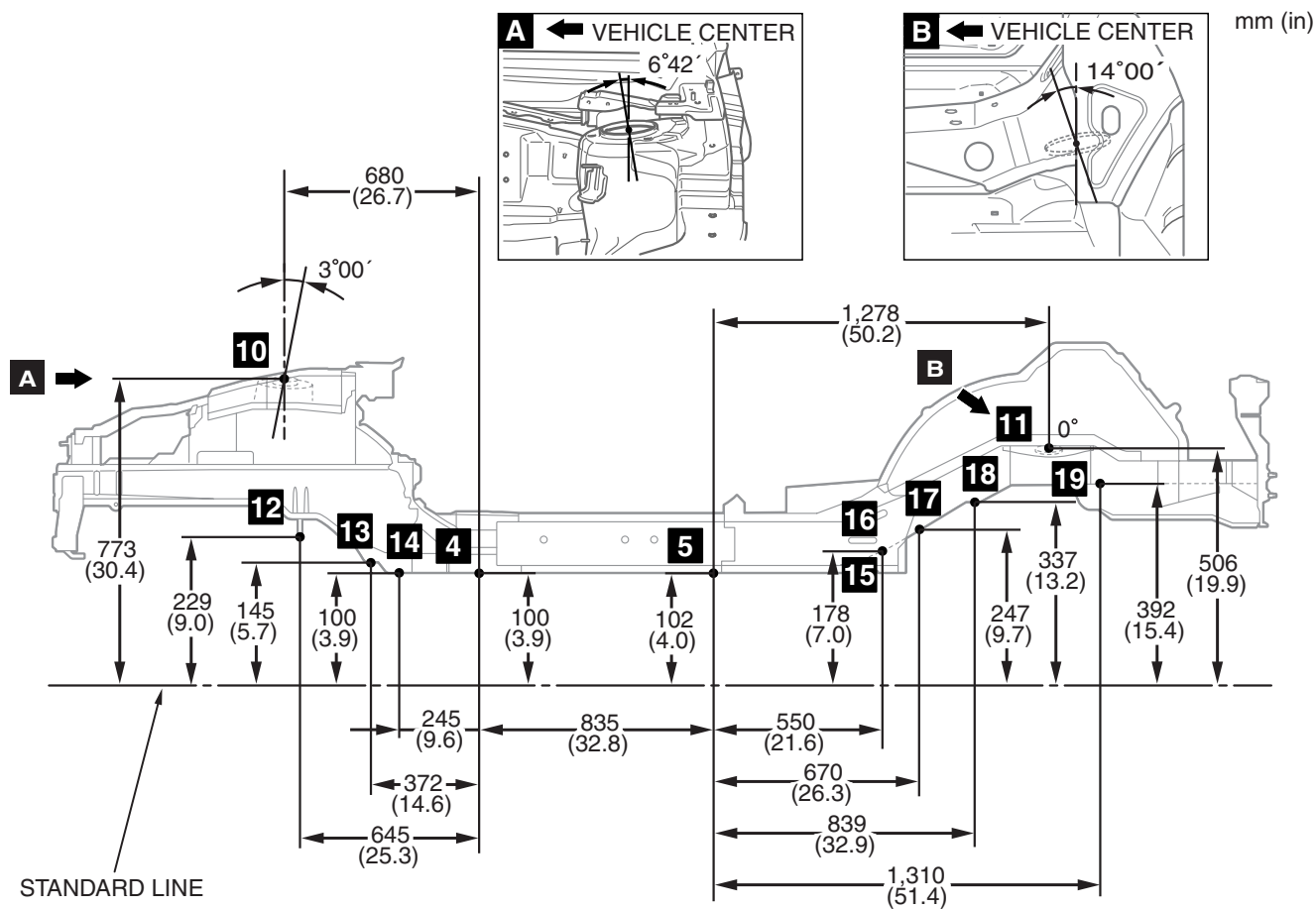
AB401121AB



AB401122AB

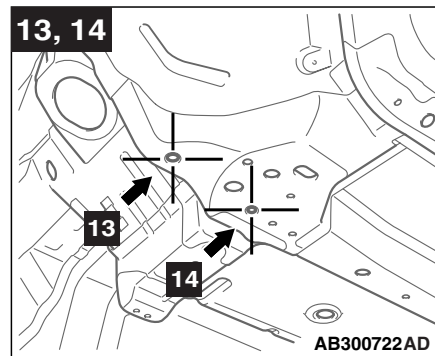
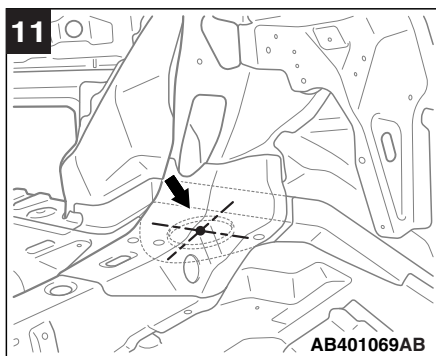
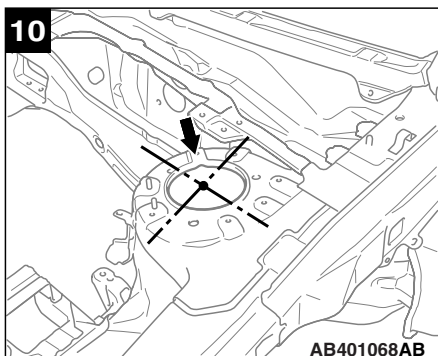
NO.	STANDARD MEASUREMENT POINT	HOLE SHAPE	SIZE mm (in)
4	Center of front sidemember rear B positioning hole	Round	25 (1.0)
5	Center of front floor sidemember positioning hole	Round	15 (0.6)
10	Center of front shock absorber mounting hole	Round	112 (4.4)
11	Center of rear shock absorber mounting hole	Round	85 (3.3)
12	Tip of front axle No.1 crossmember mounting bolt	-	-
13	Center of front suspension crossmember mounting hole	Round	17 (0.7)
14	Center of front axle No.1 crossmember mounting hole	Round	17 (0.7)
15	Center of trailing arm mounting hole	Round	14 (0.5)
16	Center of trailing arm mounting hole	Round	14 (0.5)
17	Center of trailing arm mounting hole	Round	14 (0.5)
18	Center of rear suspension crossmember mounting hole	Round	15 (0.6)
19	Center of rear suspension crossmember mounting hole	Round	15 (0.6)

TSB Revision



AB401129AB

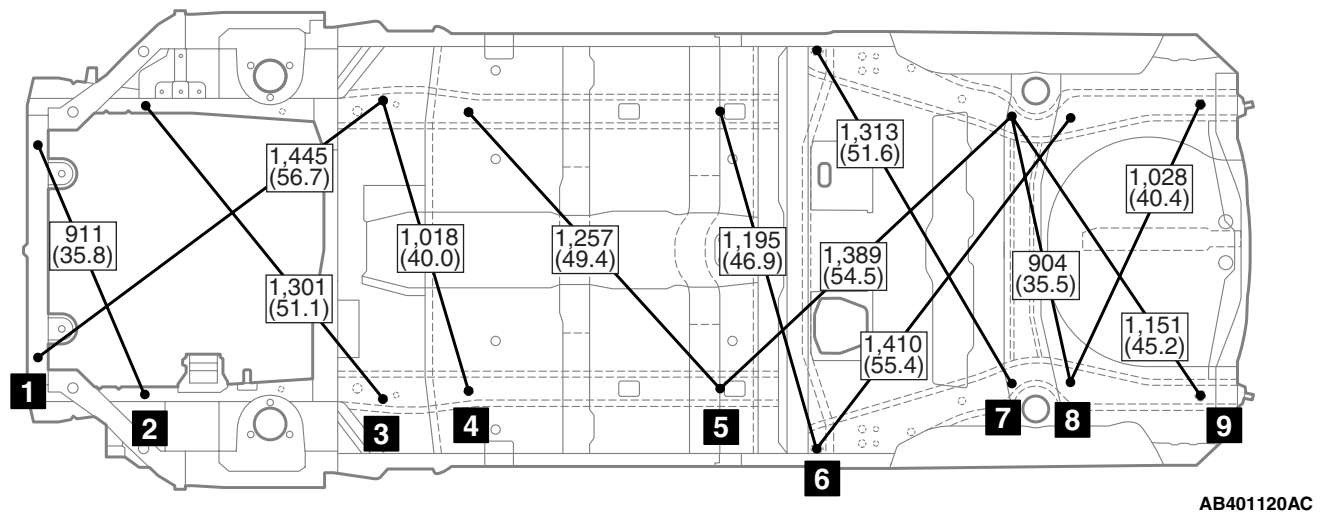
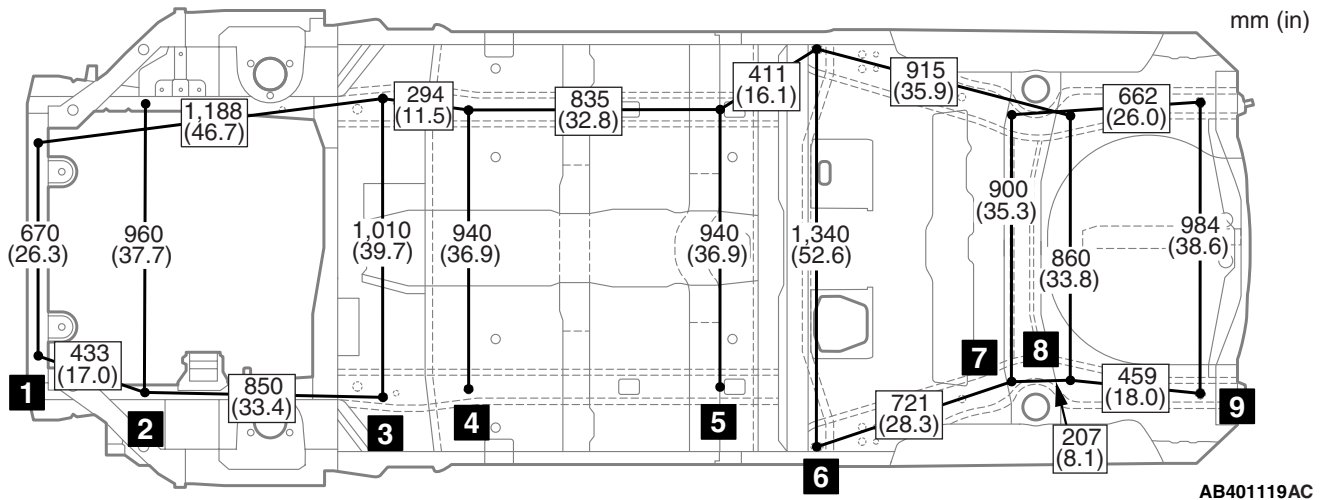
NOTE: The assumed standard line is established 100 mm (3.9 inches) below the measurement point No.4.



TYPE B (ACTUAL-MEASUREMENT DIMENSIONS)

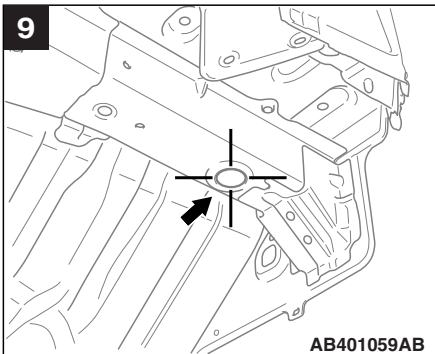
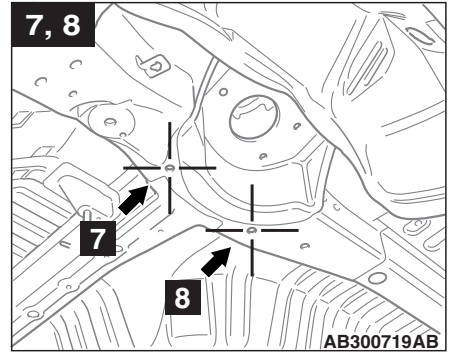
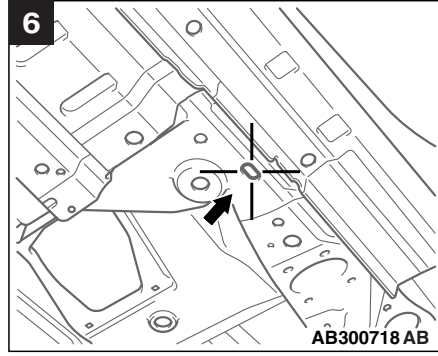
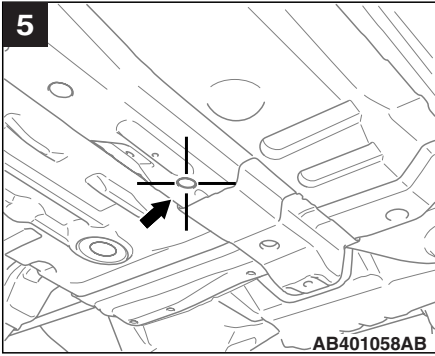
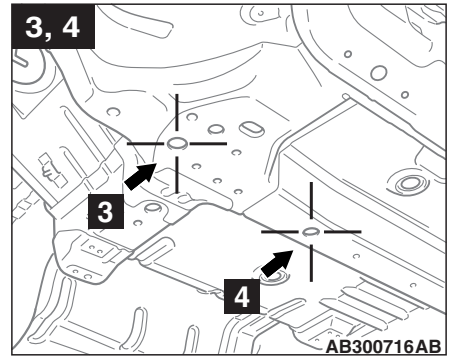
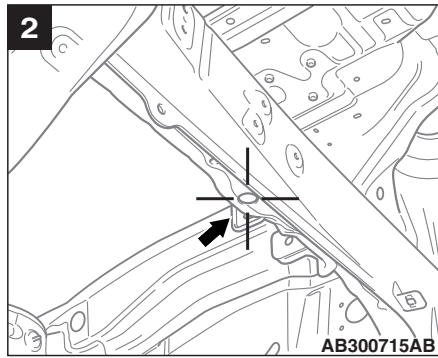
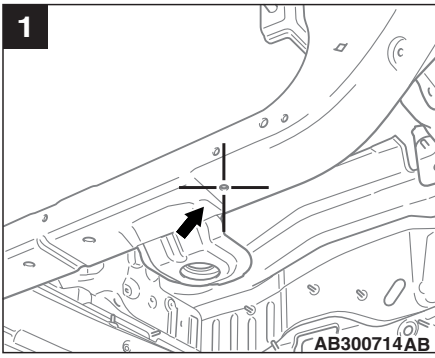
UNDER BODY

M4020005001119



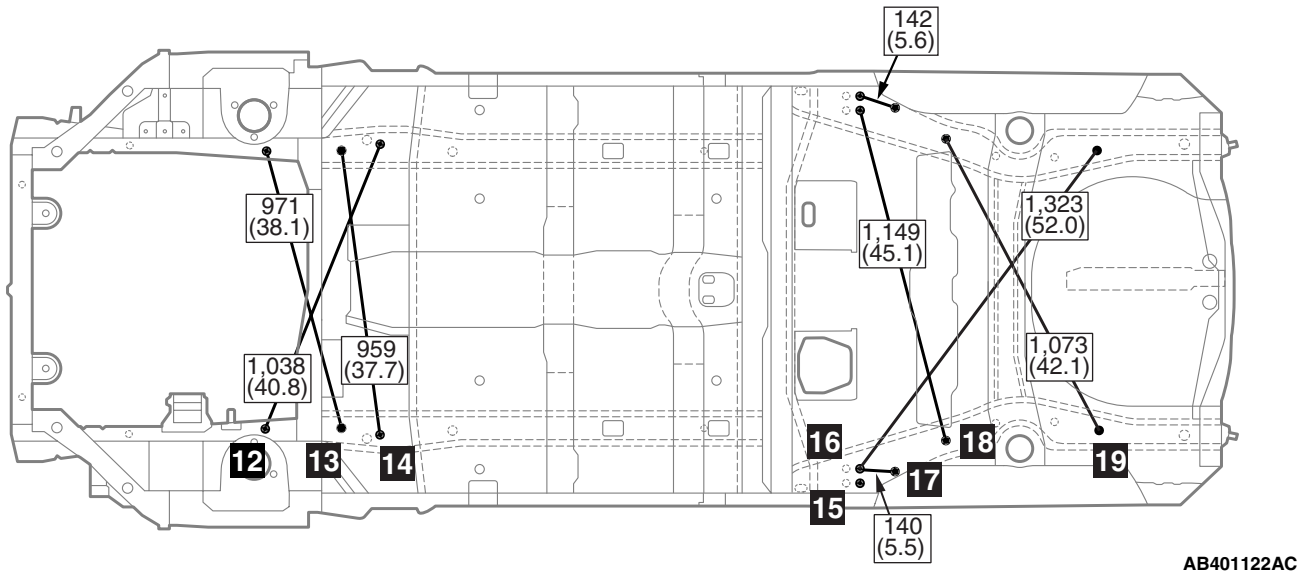
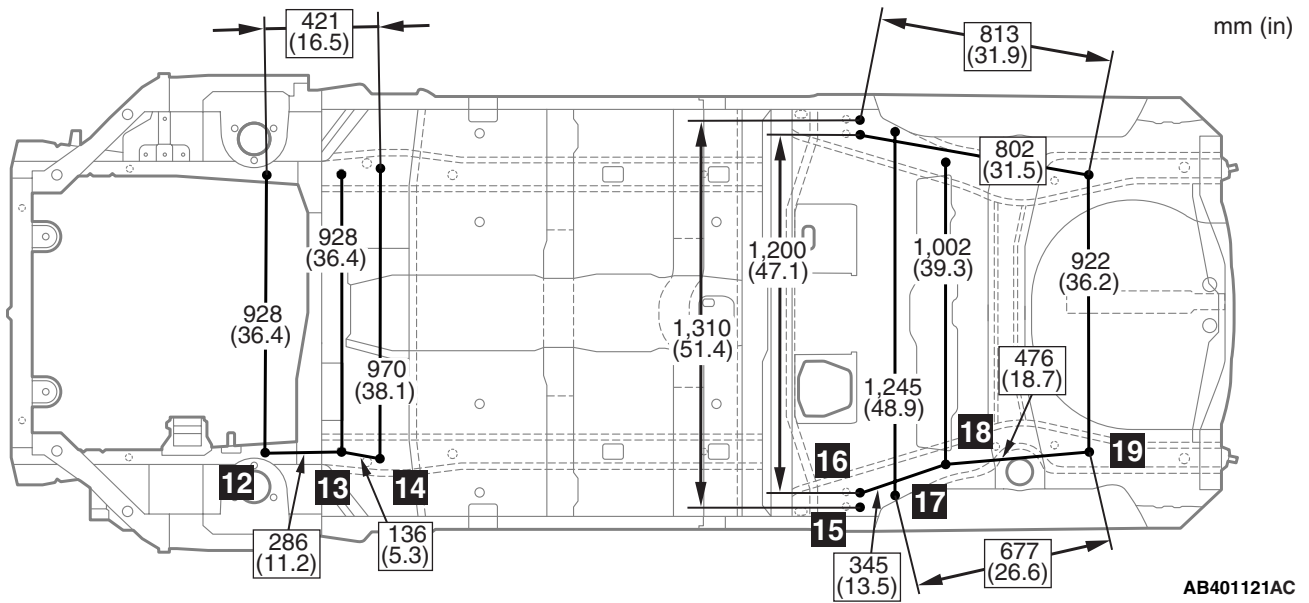
NO.	STANDARD MEASUREMENT POINT	HOLE SHAPE	SIZE mm (in)
1	Center of front bumper mounting hole	Round	8 (0.3)
2	Center of front sidemember inner positioning hole	Round	25 (1.0)
3	Center of front sidemember lower brace positioning hole	Round	25 (1.0)
4	Center of front sidemember rear B positioning hole	Round	25 (1.0)
5	Center of front floor sidemember positioning hole	Round	15 (0.6)
6	Center of tie down mounting hole	Oblong	21.6×37.5 (0.8×1.5)
7	Center of rear floor sidemember water draining hole	Round	16 (0.6)
8	Center of rear floor sidemember water draining hole	Round	16 (0.6)
9	Center of rear floor sidemember extension positioning hole	Round	35 (1.4)

**BODY DIMENSIONS
TYPE B (ACTUAL-MEASUREMENT DIMENSIONS)**



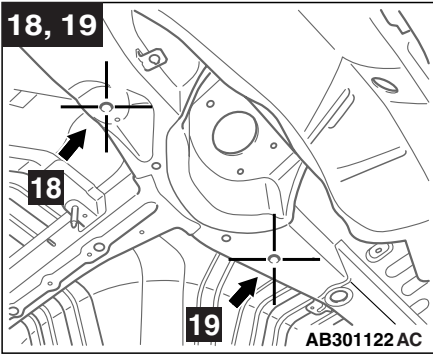
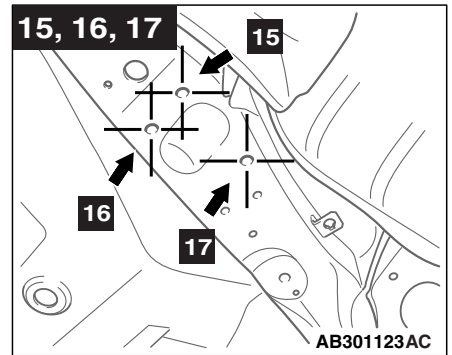
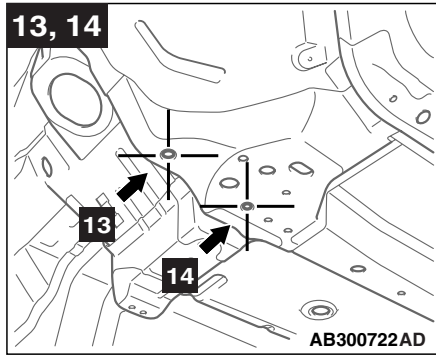
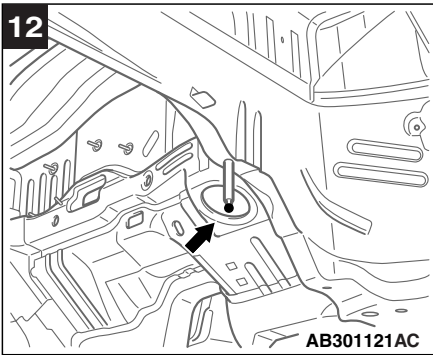
SUSPENSION INSTALLATION DIMENSIONS

M4020013000768



NO.	STANDARD MEASUREMENT POINT	HOLE SHAPE	SIZE mm (in)
12	Tip of front axle No.1 crossmember mounting bolt	-	-
13	Center of front suspension crossmember mounting hole	Round	17 (0.7)
14	Center of front axle No.1 crossmember mounting hole	Round	17 (0.7)
15	Center of trailing arm mounting hole	Round	14 (0.5)
16	Center of trailing arm mounting hole	Round	14 (0.5)
17	Center of trailing arm mounting hole	Round	14 (0.5)
18	Center of rear suspension crossmember mounting hole	Round	15 (0.6)
19	Center of rear suspension crossmember mounting hole	Round	15 (0.6)

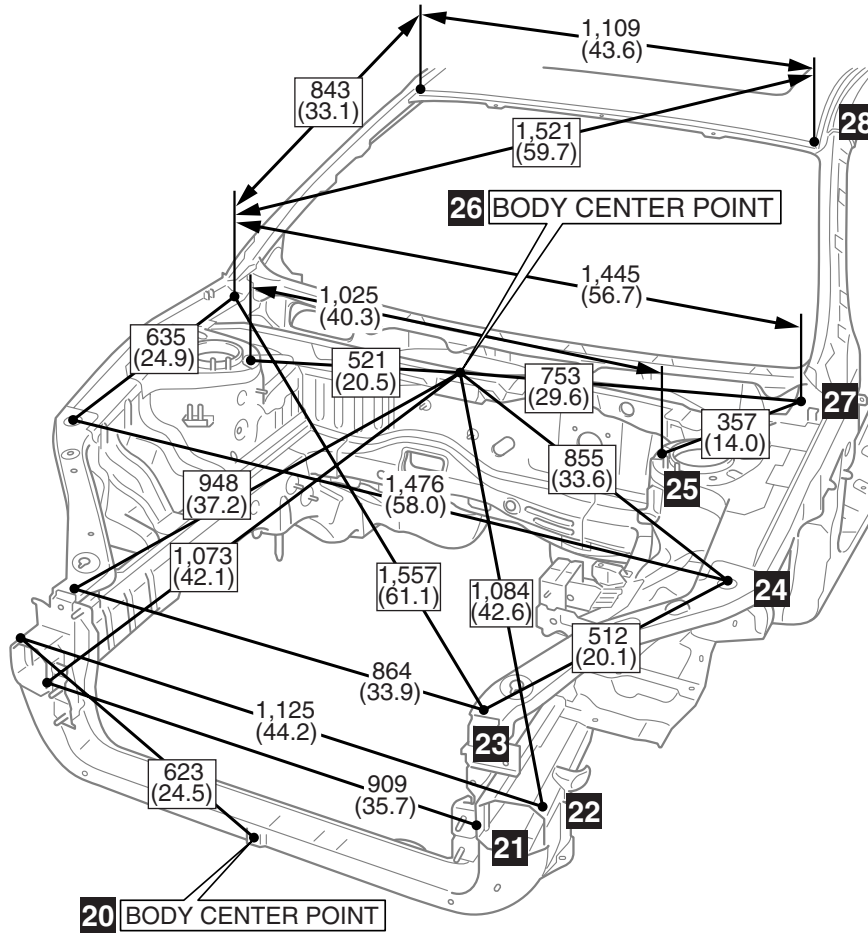
**BODY DIMENSIONS
TYPE B (ACTUAL-MEASUREMENT DIMENSIONS)**



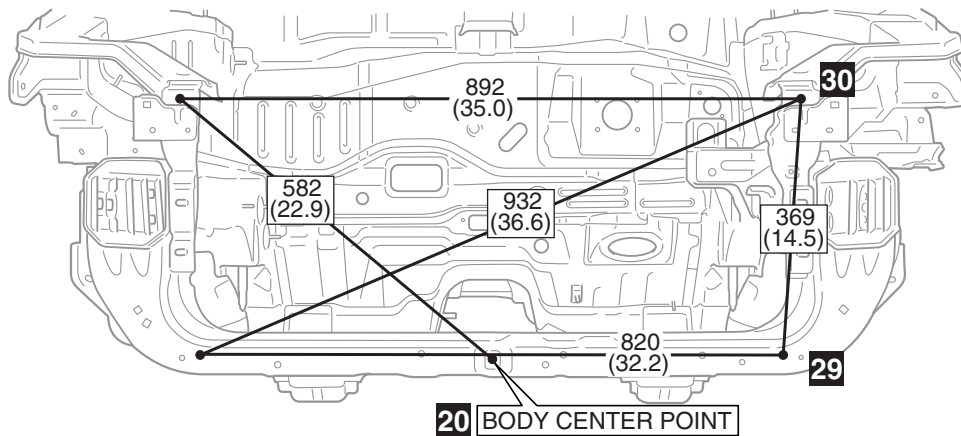
FRONT BODY

M4020006000539

mm (in)



AB401127AC

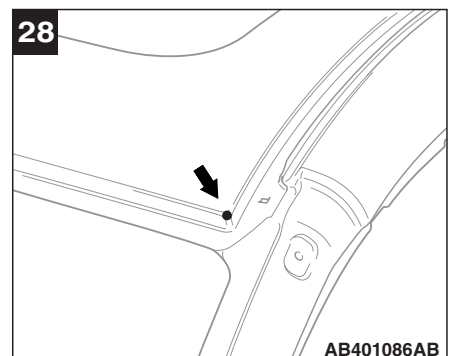
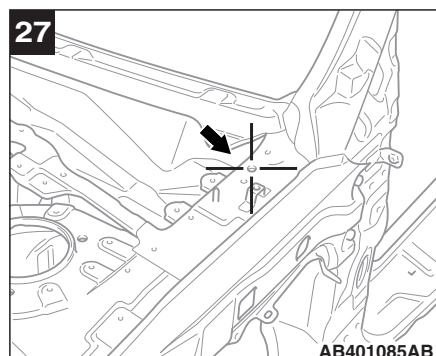
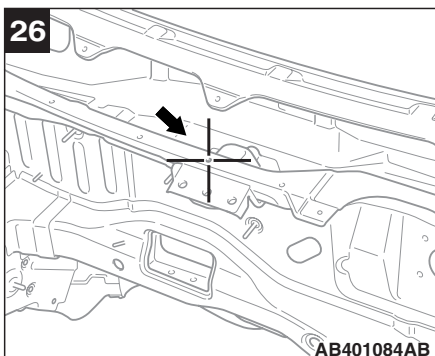
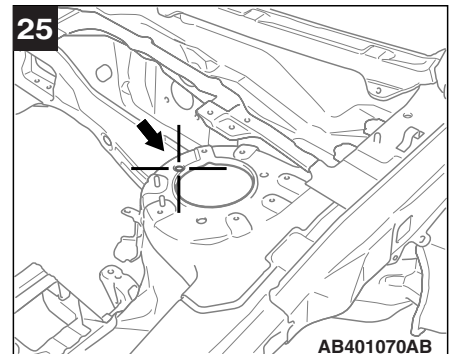
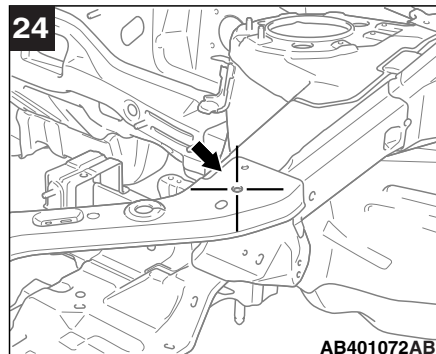
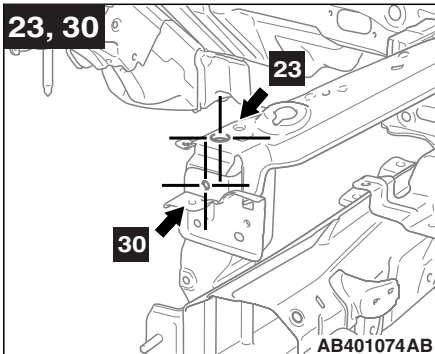
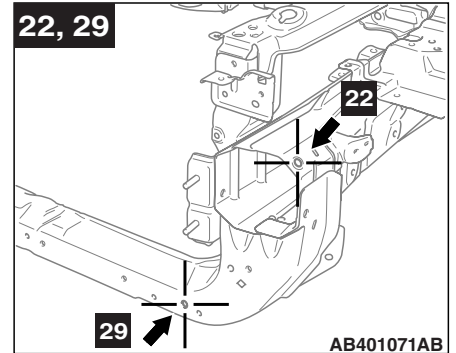
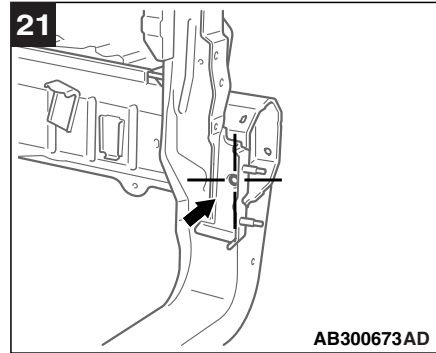
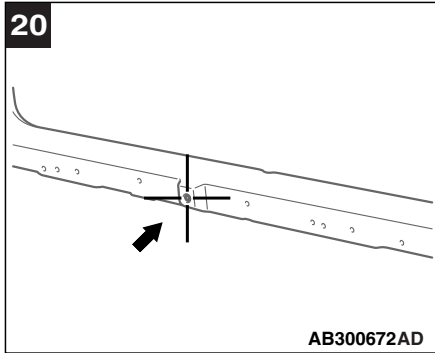


AB401112AB

NO.	STANDARD MEASUREMENT POINT	HOLE SHAPE	SIZE mm (in)
20	Center of hood lock stay mounting hole (Body center point)	Round	9 (0.4)
21	Center of front bumper reinforcement stay positioning hole	Round	13 (0.5)
22	Center of front bumper reinforcement bracket mounting hole	Round	10 (0.4)
23	Center of front end upper bar center mounting hole	Round	12 (0.5)

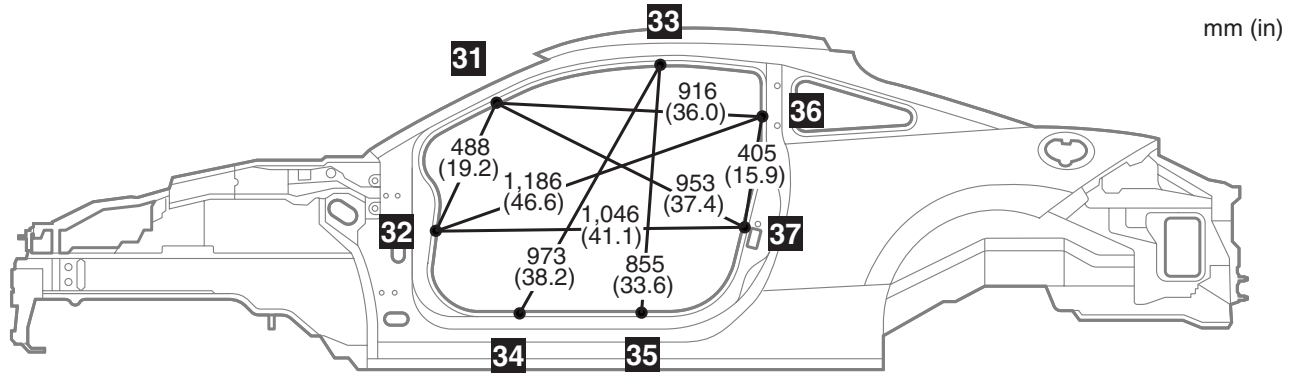
**BODY DIMENSIONS
TYPE B (ACTUAL-MEASUREMENT DIMENSIONS)**

NO.	STANDARD MEASUREMENT POINT	HOLE SHAPE	SIZE mm (in)
24	Center of front fender panel mounting hole	Round	6.6 (0.3)
25	Center of front suspension mounting hole	Round	11.5 (0.5)
26	Center of deck garnish mounting hole (Body center point)	Oblong	5×8 (0.2×0.3)
27	Center of hinge mounting hole	Round	10 (0.4)
28	Corner of roof panel	–	–
29	Center of front end crossmember outer positioning hole	Round	10 (0.4)
30	Center of front end upper bar center mounting hole	Round	14 (0.5)

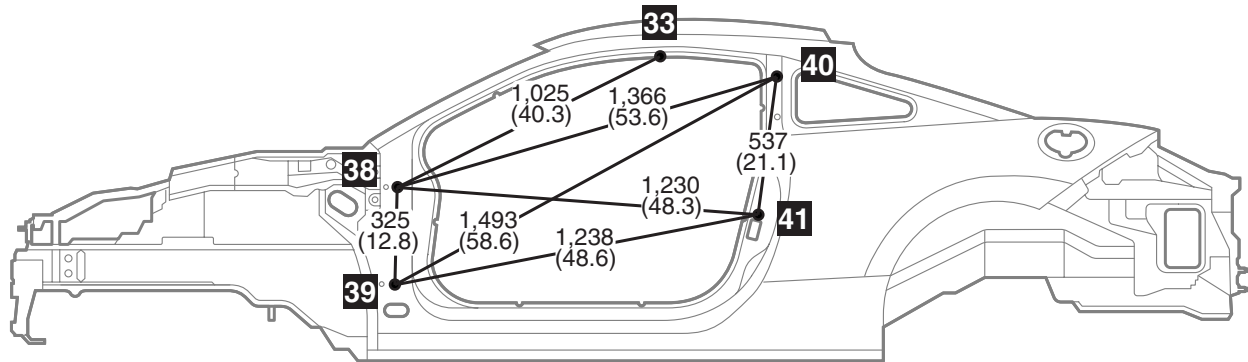


SIDE BODY

M4020007000479



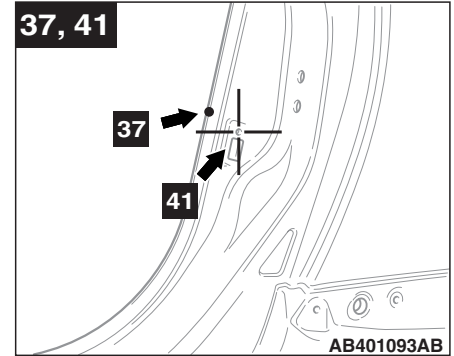
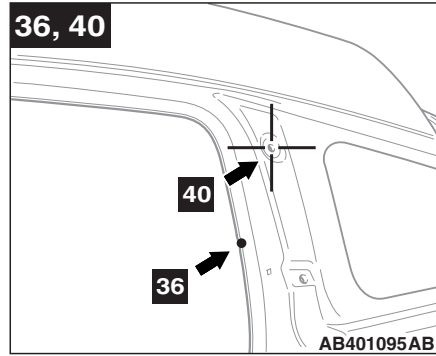
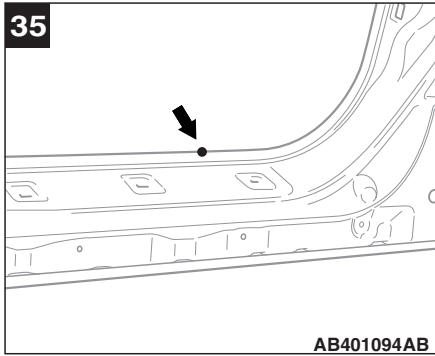
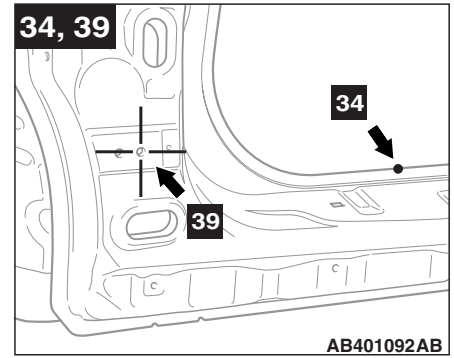
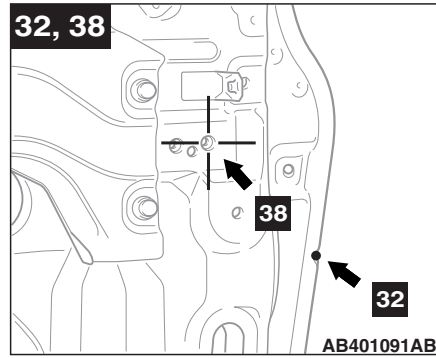
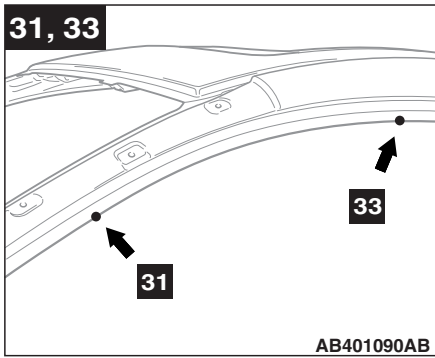
AB401024AB



AB401024AC

NO.	STANDARD MEASUREMENT POINT	HOLE SHAPE	SIZE mm (in)
31	Front pillar positioning notch (upper)	—	—
32	Front pillar positioning notch (lower)	—	—
33	Side roof rail positioning notch	—	—
34	Side sill positioning notch (front)	—	—
35	Side sill positioning notch (rear)	—	—
36	Quarter panel positioning notch (upper)	—	—
37	Quarter panel positioning notch (lower)	—	—
38	Center of front door hinge mounting hole (upper)	Round	10 (0.4)
39	Center of front door hinge mounting hole (lower)	Round	10 (0.4)
40	Center of quarter window glass mounting hole	Round	8 (0.3)
41	Center of door switch mounting hole	Round	5 (0.2)

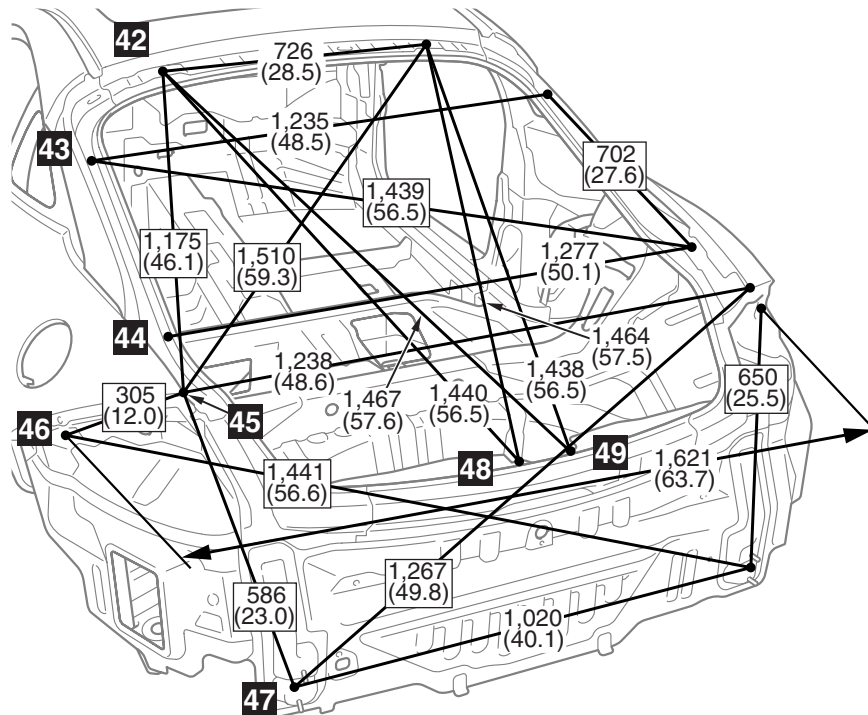
**BODY DIMENSIONS
TYPE B (ACTUAL-MEASUREMENT DIMENSIONS)**



REAR BODY

M4020008000494

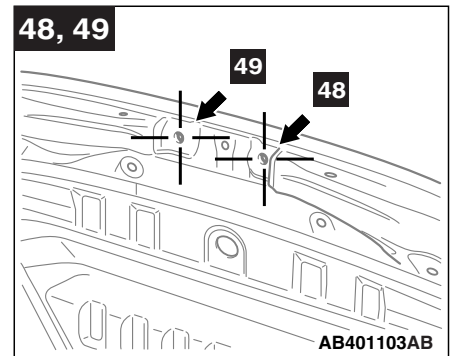
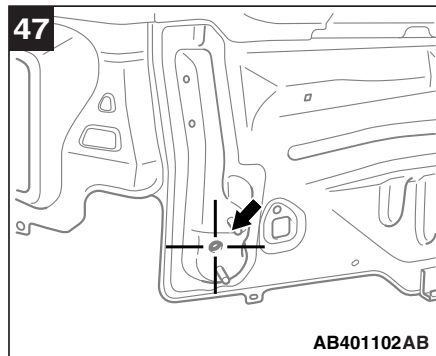
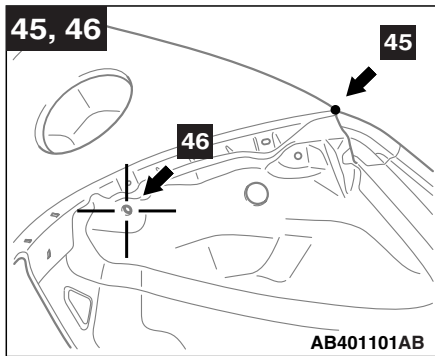
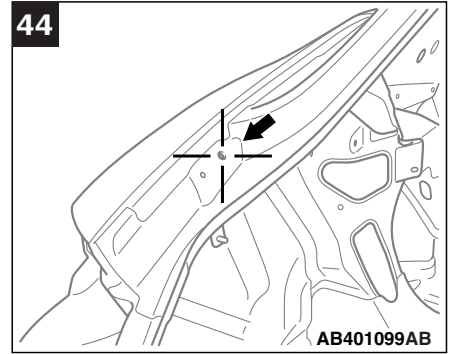
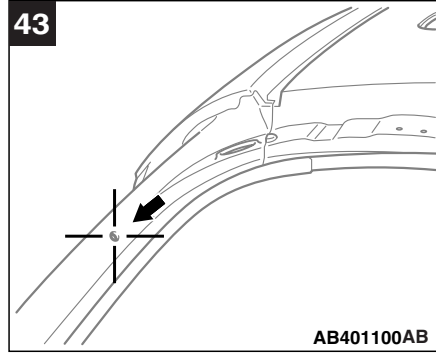
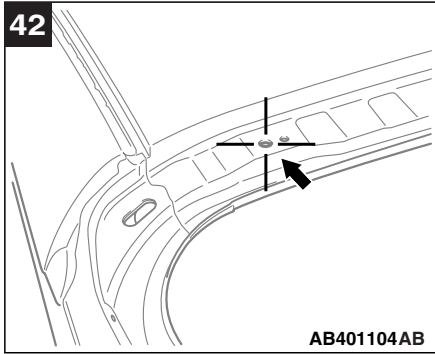
mm (in)



AB401096AB

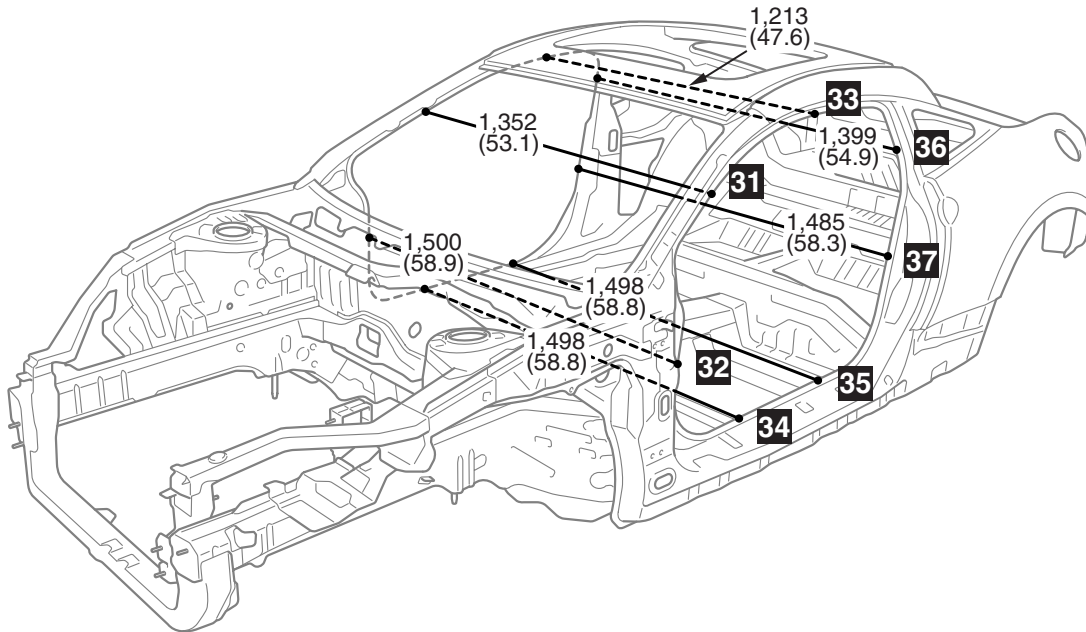
NO.	STANDARD MEASUREMENT POINT	HOLE SHAPE	SIZE mm (in)
42	Center of hinge mounting hole	Round	12 (0.5)
43	Center of gas spring mounting hole	Round	9 (0.4)
44	Center of damper mounting hole	Round	6.6 (0.3)
45	Corner of quarter outer panel lower	-	-

NO.	STANDARD MEASUREMENT POINT	HOLE SHAPE	SIZE mm (in)
46	Center of rear lamp housing positioning hole	Round	10.5 (0.4)
47	Center of rear bumper bracket positioning hole	Round	8 (0.3)
48	Center of latch mounting hole	Round	9 (0.4)
49	Center of latch mounting hole	Round	9 (0.4)

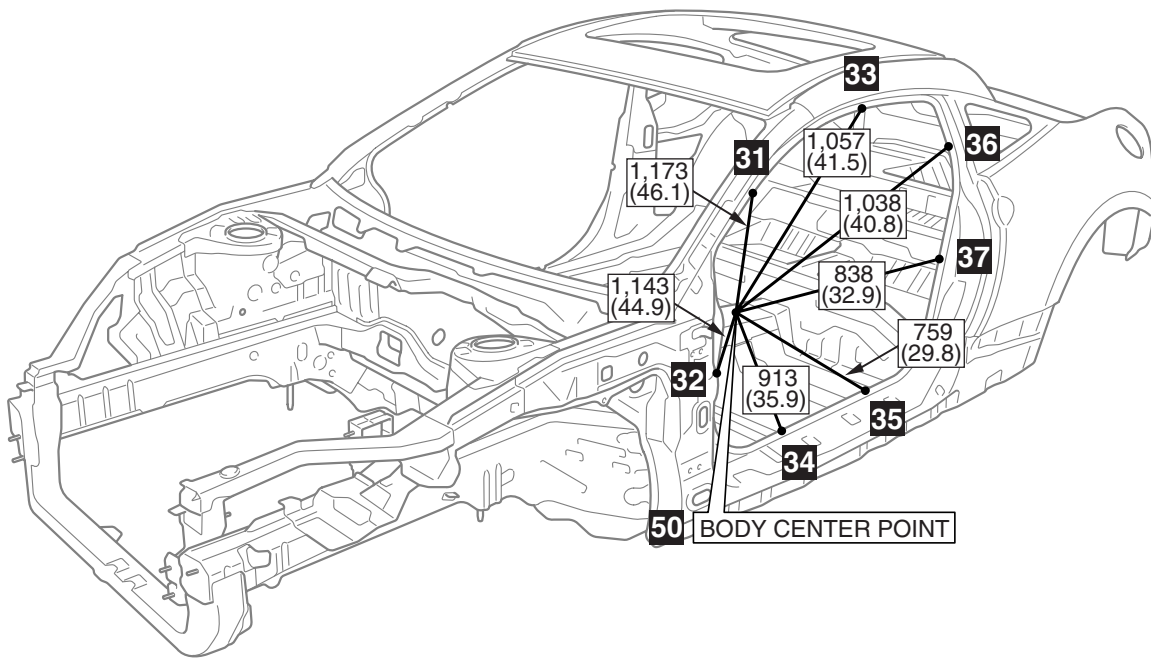


INTERIOR

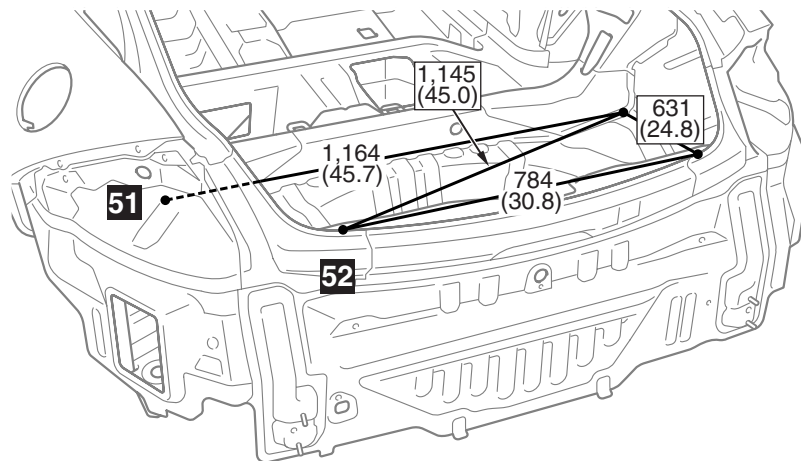
M4020009000486



AB401109AB



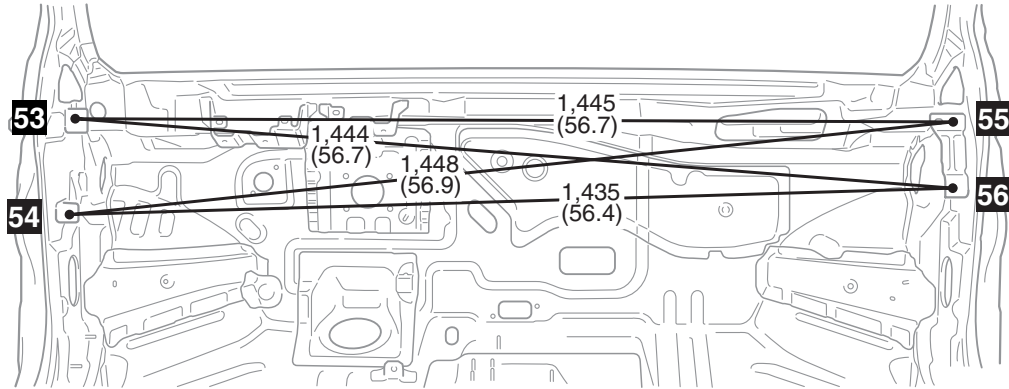
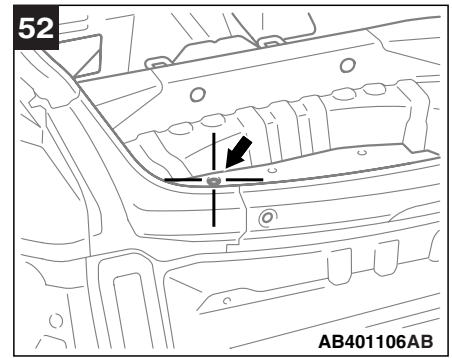
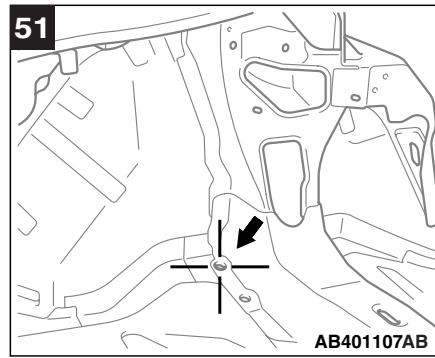
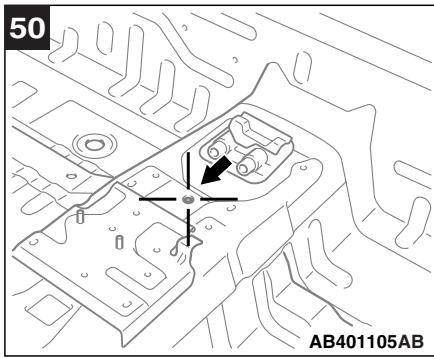
AB401108AB



AB401097AB

NO.	STANDARD MEASUREMENT POINT	HOLE SHAPE	SIZE mm (in)
31	Front pillar positioning notch (upper)	—	—
32	Front pillar positioning notch (lower)	—	—
33	Side roof rail positioning notch	—	—
34	Side sill positioning notch (front)	—	—
35	Side sill positioning notch (rear)	—	—
36	Quarter panel positioning notch (upper)	—	—
37	Quarter panel positioning notch (lower)	—	—
50	Center of backbone reinforcement positioning hole	Round	8 (0.3)
51	Center of shock absorber and spring mounting hole	Round	14 (0.5)
52	Center of rear end trim mounting hole	Round	8.5 (0.3)

BODY DIMENSIONS
TYPE B (ACTUAL-MEASUREMENT DIMENSIONS)



AB401113AB

NO.	STANDARD MEASUREMENT POINT	HOLE SHAPE	SIZE mm (in)
53	Center of crossmember rear bracket upper positioning hole (left-upper)	Oblong	11×14 (0.4×0.5)
54	Center of deck crossmember mounting hole (left-lower)	Round	10 (0.4)
55	Center of deck crossmember mounting hole (right-upper)	Round	9 (0.4)
56	Center of deck crossmember mounting hole (right-lower)	Round	9 (0.4)

